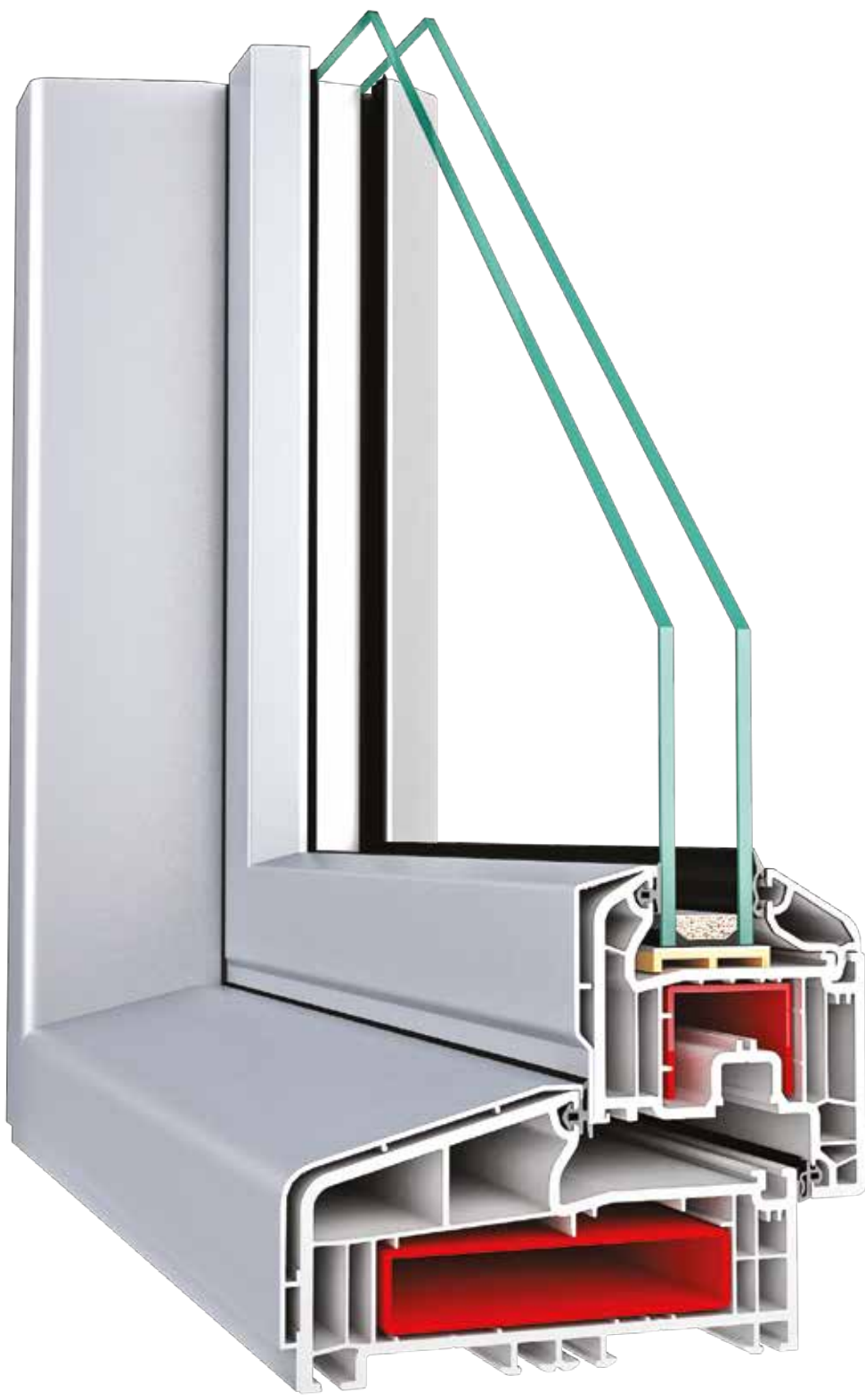
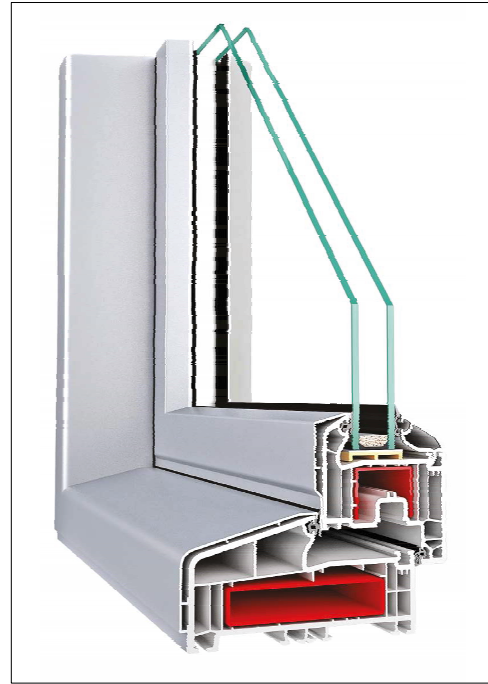
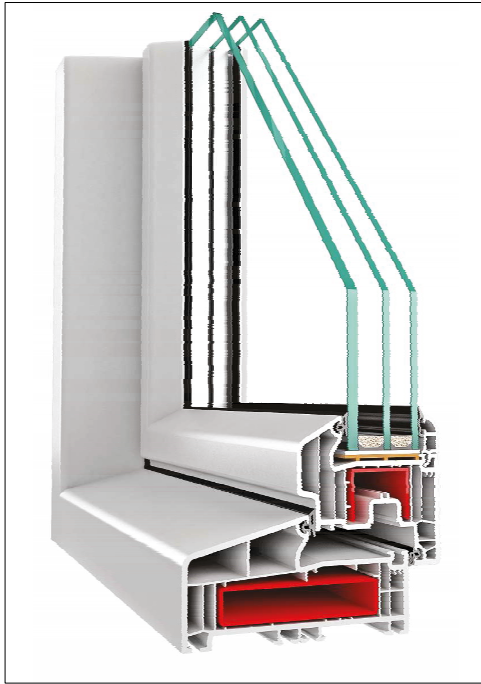


MAXI EMPIRE SERIES 120mm








Technical information

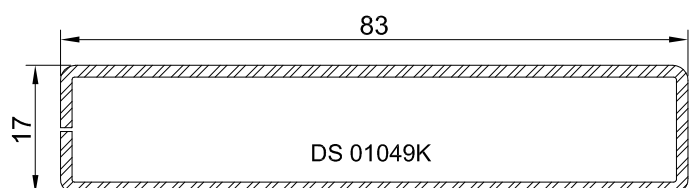
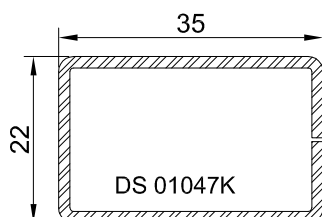
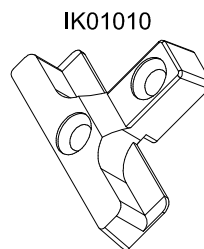
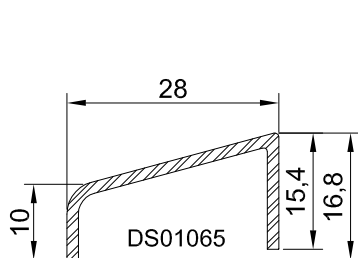
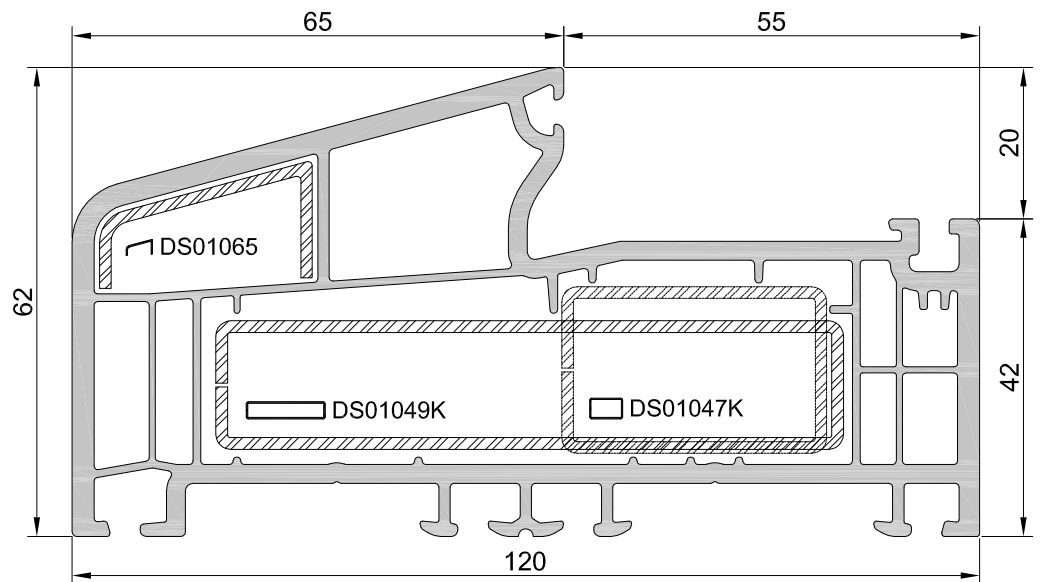
Frame depth	120 mm
Frame inner height	42 mm
Frame outside height	62 mm
Mullion inner height	40 mm
Mullion outside height	80 mm
Window sash depth	70-76-80 mm
Door sash depth	70-76 mm
Glass thickness minimum	4 mm
Glass thickness maksimum	40 mm

Application options

	Window	Door
Inward opening	●	●
Outside opening	●	●
Fanlight	●	
Double drop	●	●
Parallel sliding	●	●
Folding	●	●
Application of aluminium cover 90 & 45 degree	●	●

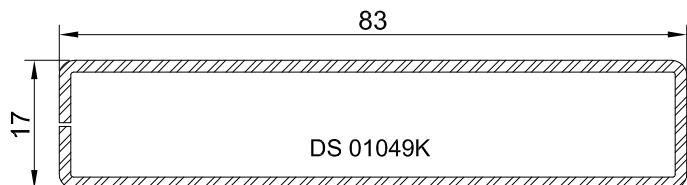
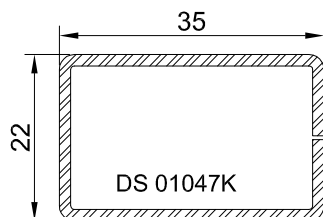
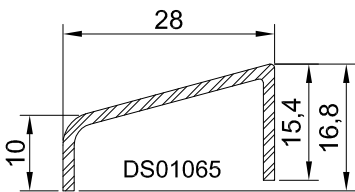
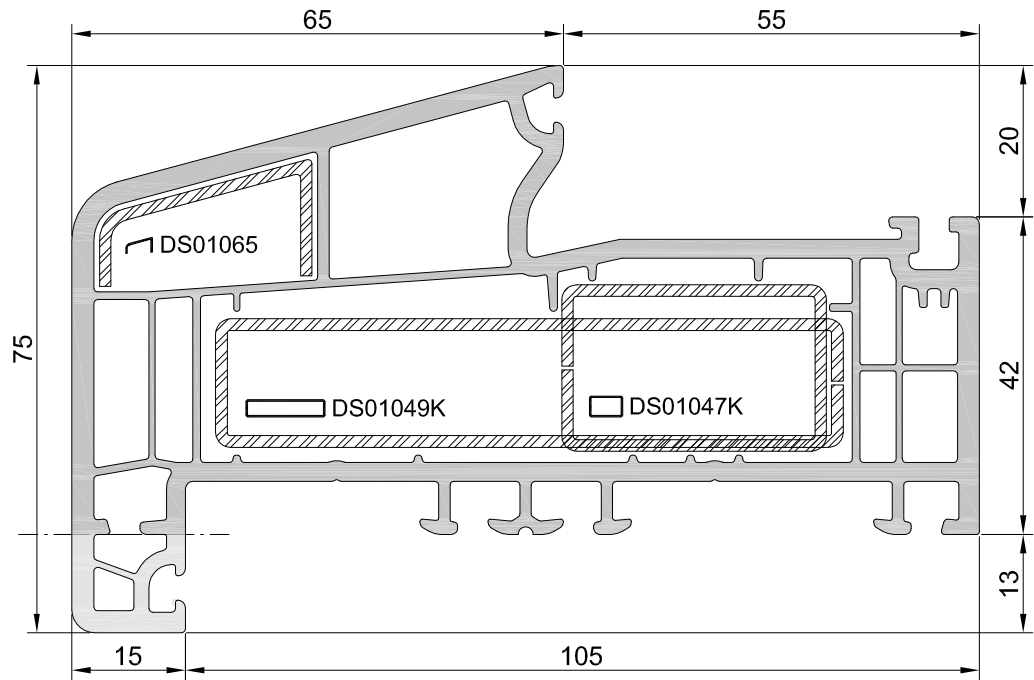
1251	Five Chambered Frame
------	----------------------

Reinforcement Steel	Thickness (mm)	Moment of inertia	
		I _x (cm ⁴)	I _y (cm ⁴)
DS01049K 83x17 	1,25	1,34	17,5
	1,5	1,54	20,56
	2,0	1,91	26,34
DS01047K 35x22 	1,25	1,07	2,2
	1,5	1,23	2,55
	2,0	1,52	3,18
DS01065 	1,5	0,11	0,83


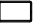



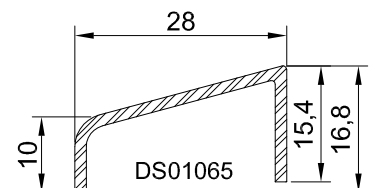
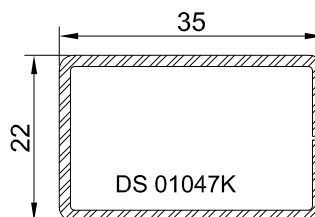
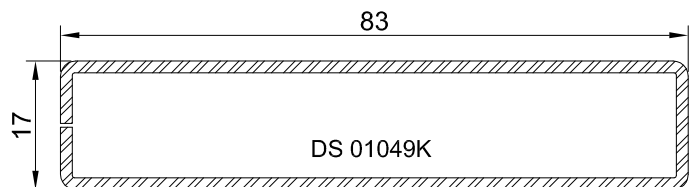
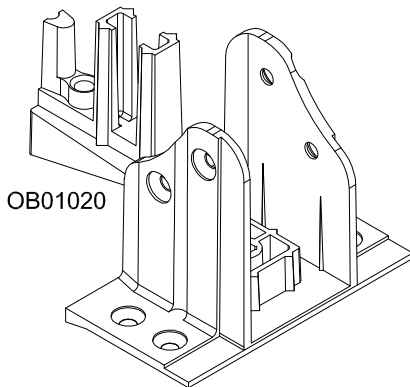
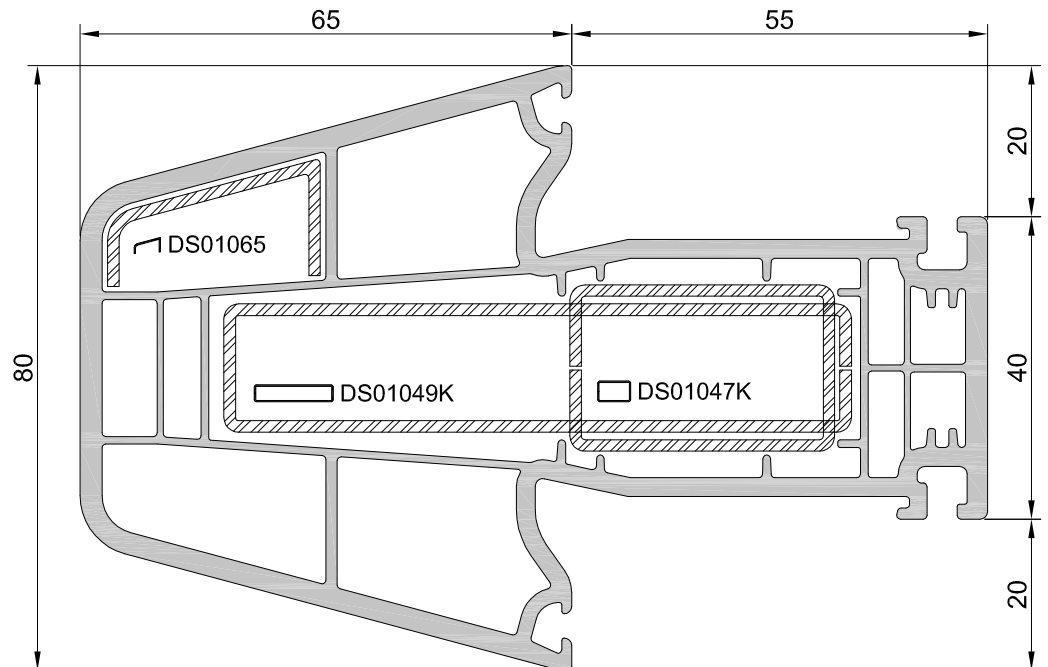
1252	Five Chambered Frame
------	----------------------

Reinforcement Steel	Thickness (mm)	Moment of inertia	
		Ix (cm4)	Iy (cm4)
DS01049K 83x17	1,25	1,34	17,5
	1,5	1,54	20,56
	2,0	1,91	26,34
DS01047K 35x22	1,25	1,07	2,2
	1,5	1,23	2,55
	2,0	1,52	3,18
DS01065	1,5	0,11	0,83



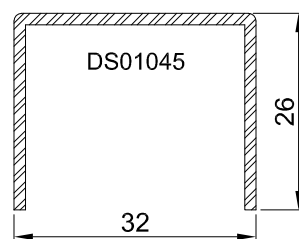
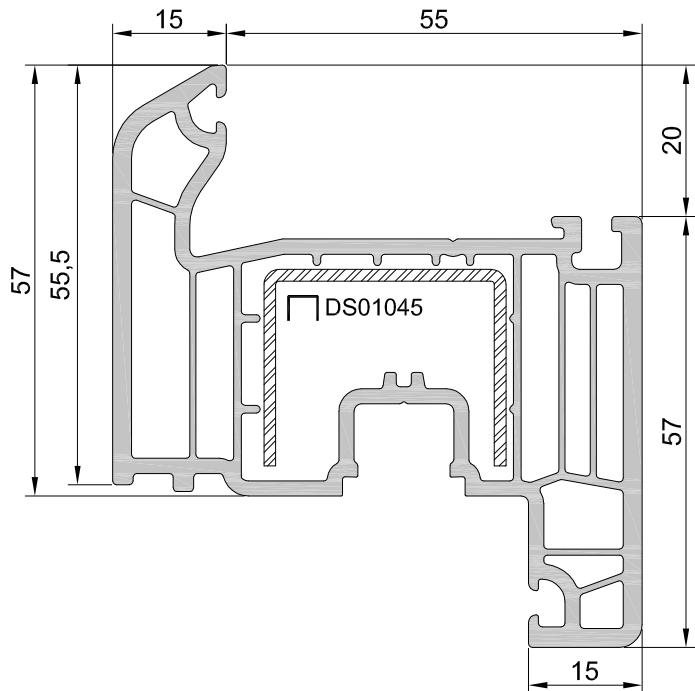
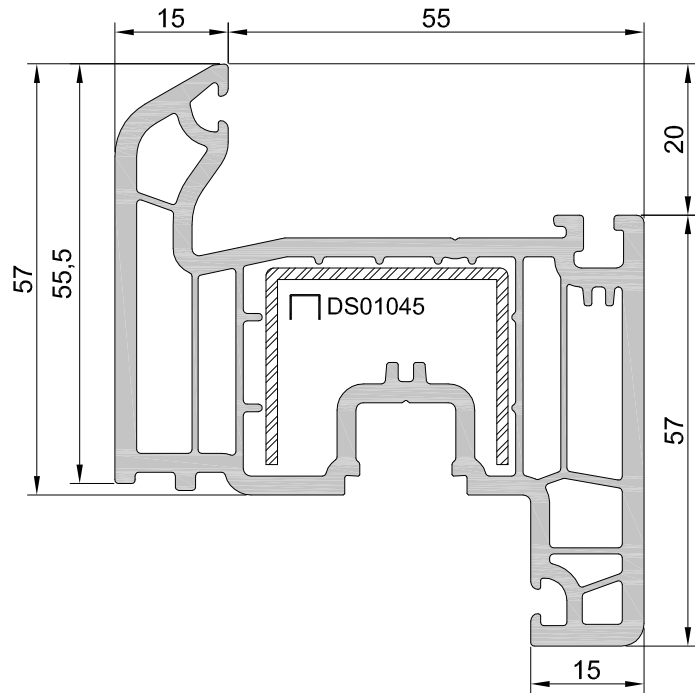
1253	Five Chambered Mullion
------	------------------------

Reinforcement Steel	Thickness (mm)	Moment of inertia	
		I _x (cm ⁴)	I _y (cm ⁴)
DS01049K 83x17 	1,25	1,34	17,5
	1,5	1,54	20,56
	2,0	1,91	26,34
DS01047K 35x22 	1,25	1,07	2,2
	1,5	1,23	2,55
	2,0	1,52	3,18
DS01065 	1,5	0,11	0,83



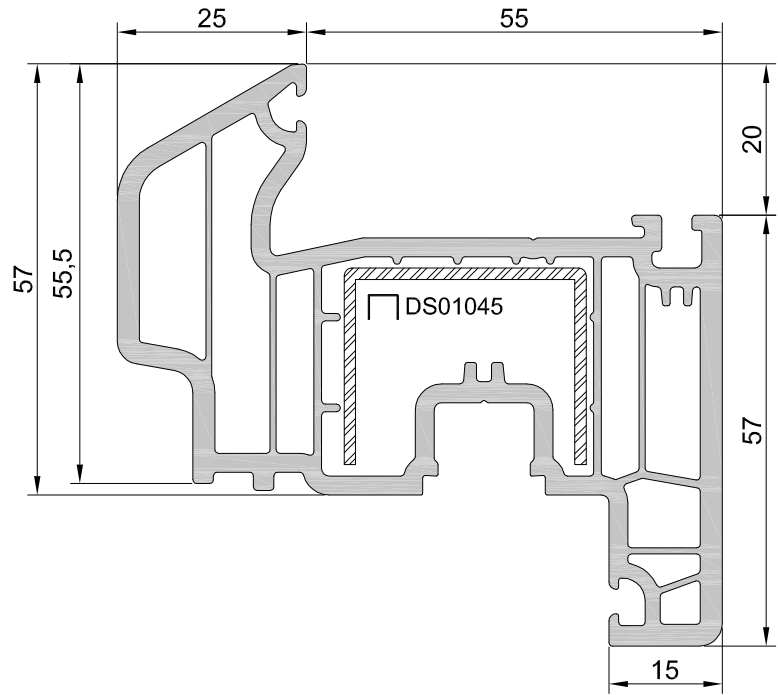
7053	Five Chambered Sash
------	---------------------

Reinforcement Steel	Thickness (mm)	Moment of inertia	
		I _x (cm ⁴)	I _y (cm ⁴)
DS01045 32x26	1,25	0,72	1,77
	1,5	0,85	2,07
	2,0	1,09	2,63



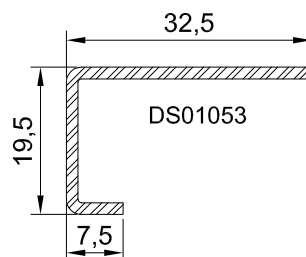
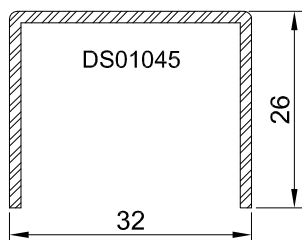
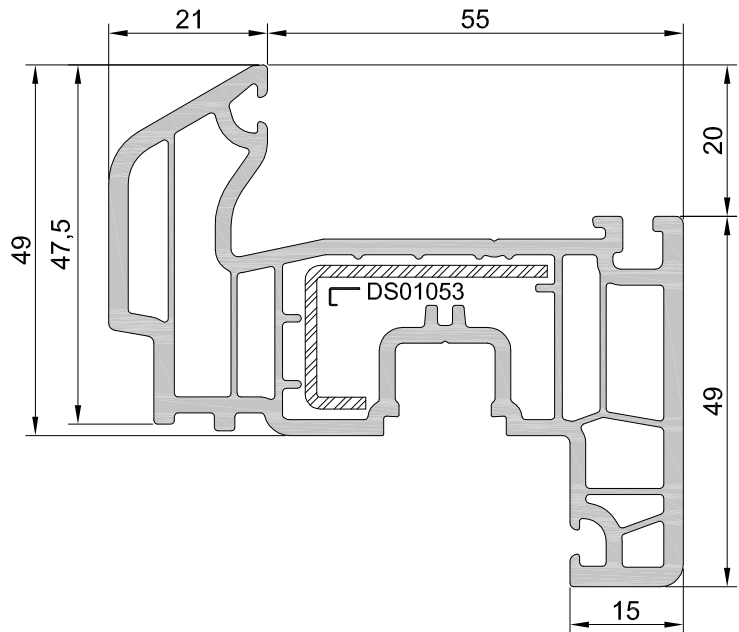
7054	Dropper Sash
------	--------------

Reinforcement Steel	Thickness (mm)	Moment of inertia	
		Ix (cm ⁴)	Iy (cm ⁴)
DS01045 32x26	1,25	0,72	1,77
	1,5	0,85	2,07
	2,0	1,09	2,63

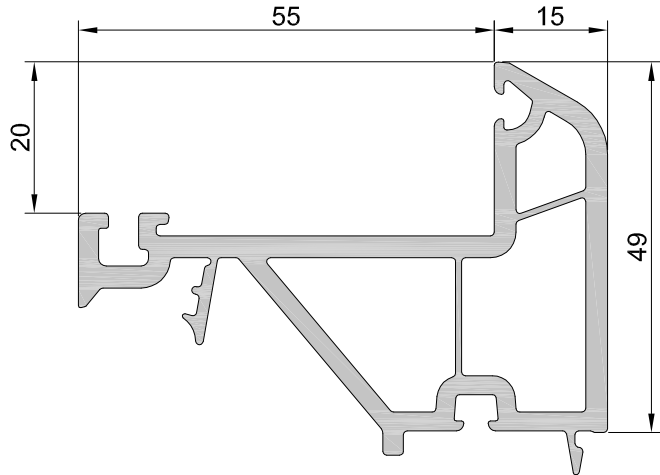


7065	French Dropper Sash
------	---------------------

Reinforcement Steel	Thickness (mm)	Moment of inertia	
		Ix (cm ⁴)	Iy (cm ⁴)
DS01053 32.5x7.5x19.5	1,25	0,19	0,88
	1,5	0,22	1,03
	2,0	0,27	1,31

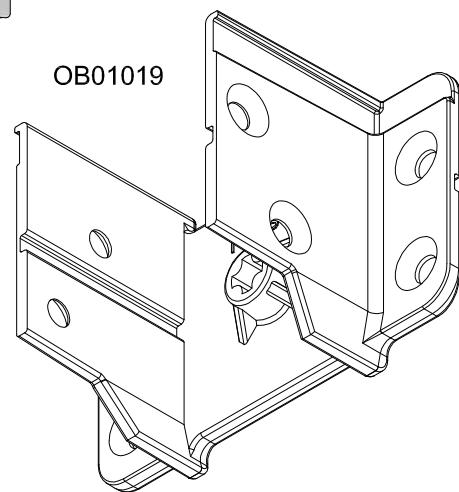
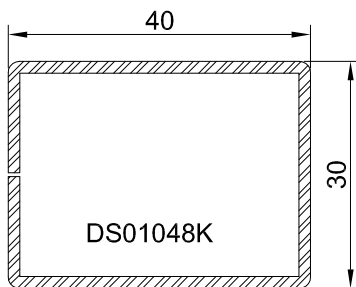
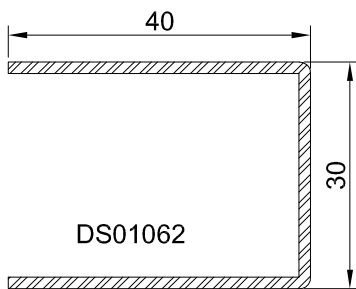
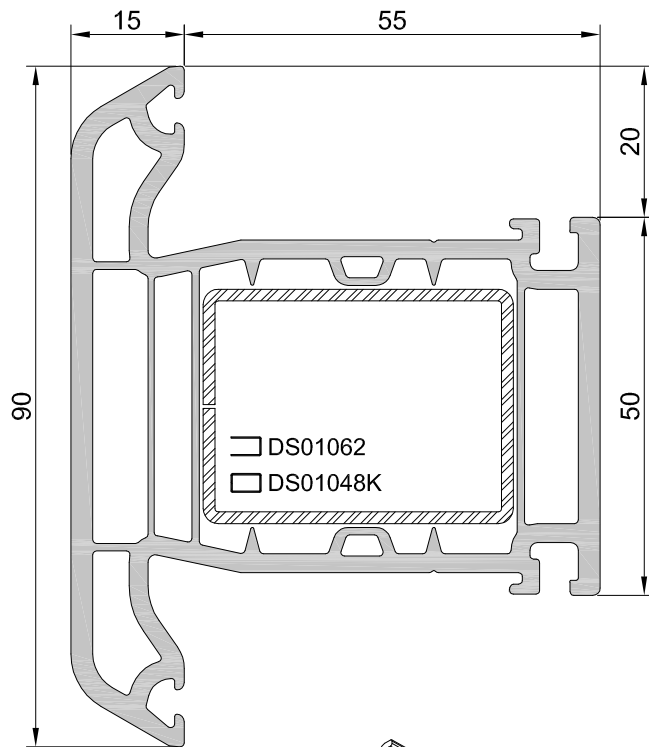


1254	Clips Profile
------	---------------



7077	Wide Mullion
------	--------------

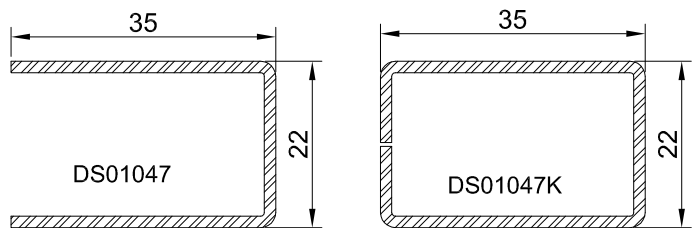
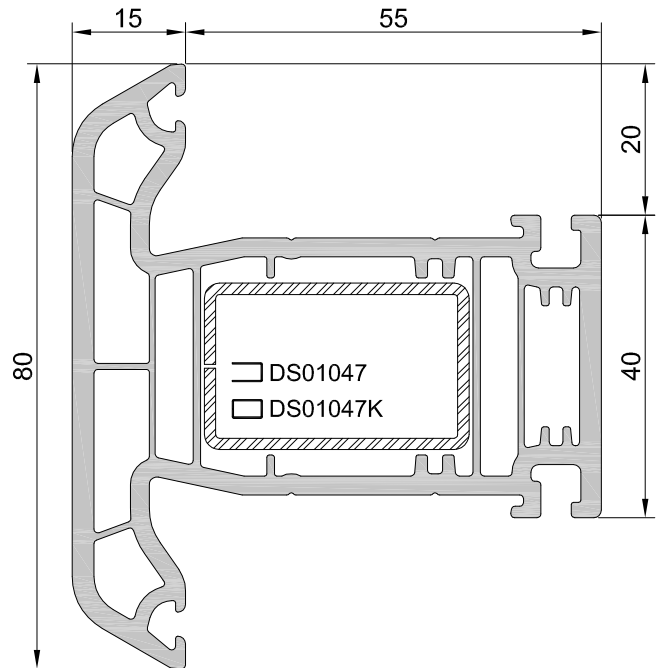
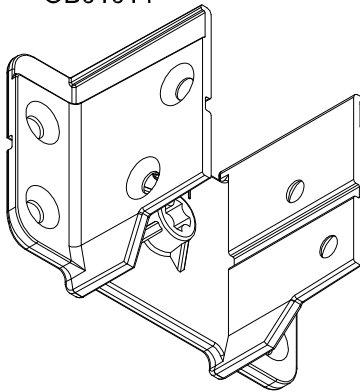
Reinforcement Steel	Thickness (mm)	Moment of inertia	
		Ix (cm4)	Iy (cm4)
DS01062 40x30	1,25	2,26	2,27
	1,5	2,64	2,68
	2,0	3,36	3,47
DS01048K 40x30	1,25	2,45	3,81
	1,5	2,85	4,44
	2,0	3,58	5,61



7056	Mullion
------	---------

Reinforcement Steel	Thickness (mm)	Moment of inertia	
		I _x (cm ⁴)	I _y (cm ⁴)
DS01047 35x22	1,25	1,01	1,41
	1,5	1,17	1,66
	2,0	1,46	2,14
DS01047K 35x22	1,25	1,07	2,2
	1,5	1,23	2,55
	2,0	1,52	3,18

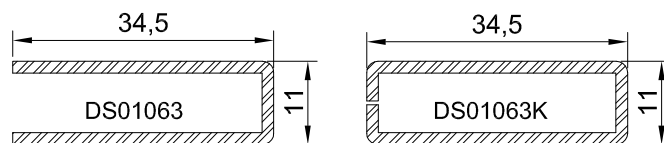
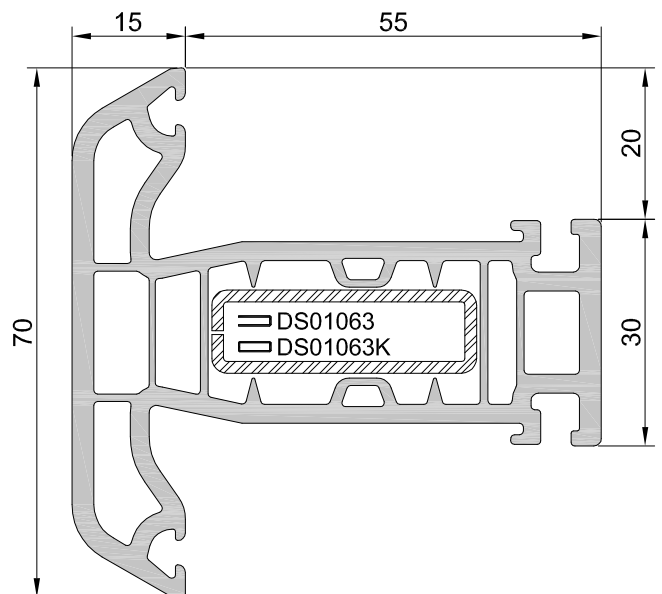
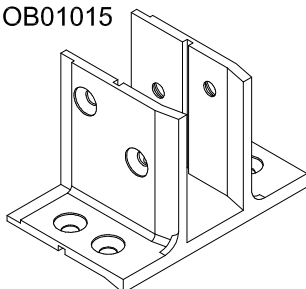
OB01014



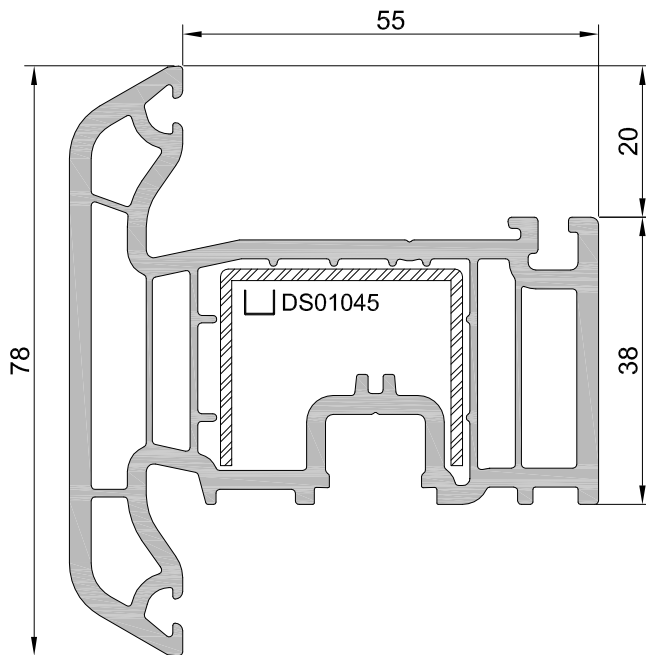
7078	Narrow Mullion
------	----------------

Reinforcement Steel	Thickness (mm)	Moment of inertia	
		I _x (cm ⁴)	I _y (cm ⁴)
DS01063 34.5x11	1,25	0,21	1,09
	1,5	0,24	1,27
	2,0	0,28	1,62
DS01063K 34.5x11	1,25	0,21	1,37
	1,5	0,24	1,57
	2,0	0,28	1,92

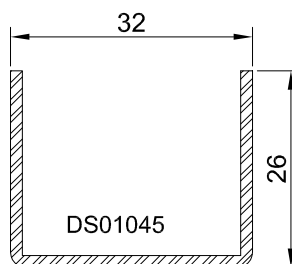
OB01015



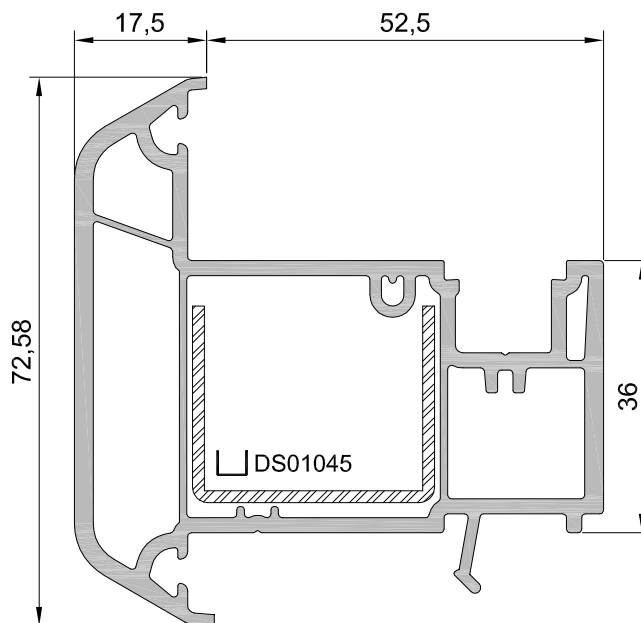
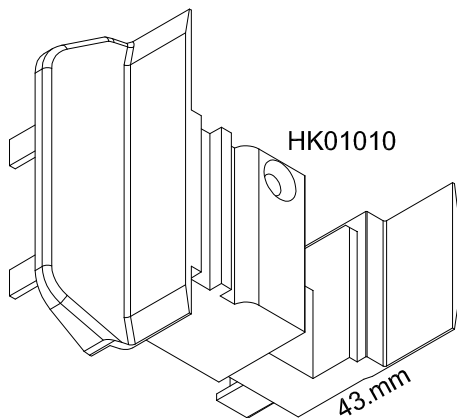
7061 Outward Opening Sash



Reinforcement Steel	Thickness (mm)	Moment of inertia	
		Ix (cm ⁴)	Iy (cm ⁴)
DS01045 32x26	1,25	0,72	1,77
	1,5	0,85	2,07
	2,0	1,09	2,63

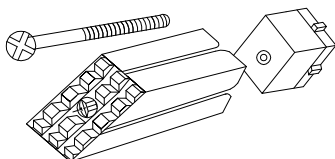
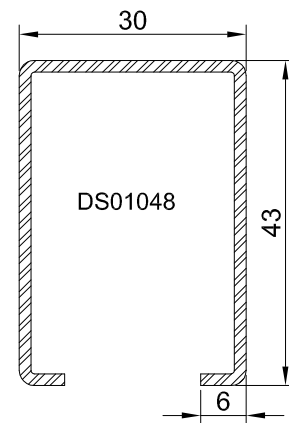
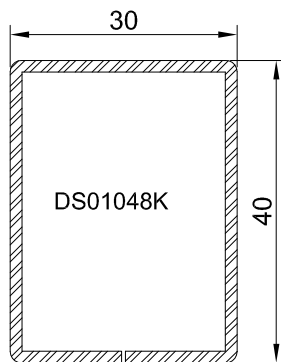
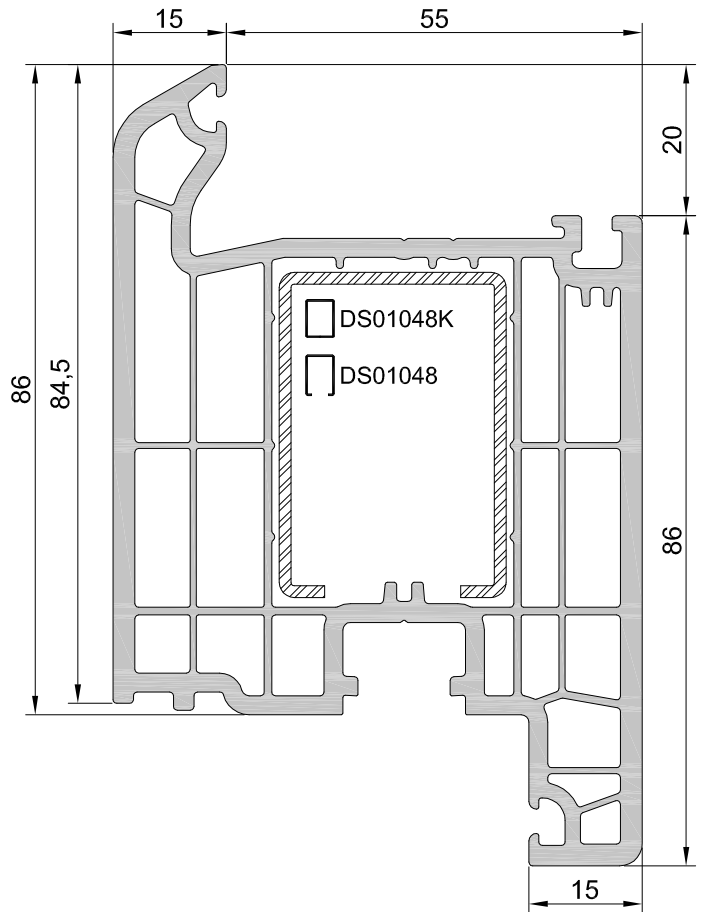


7059 Rebate Reverser



7057	Inward Opening Door Sash
------	--------------------------

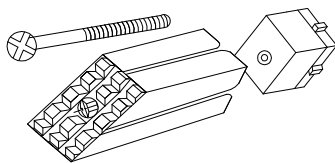
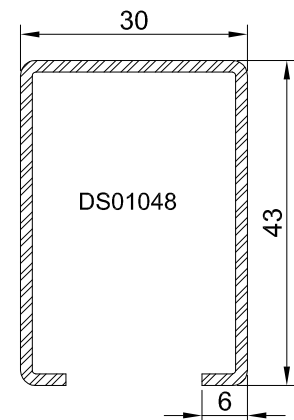
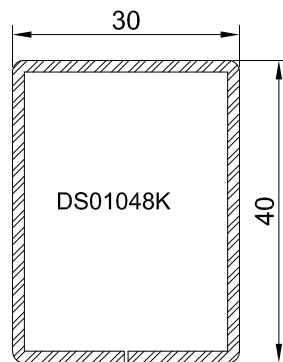
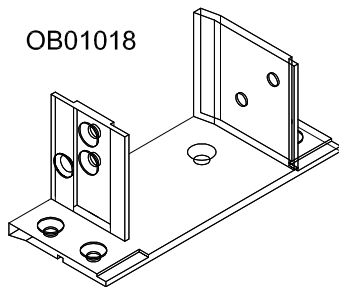
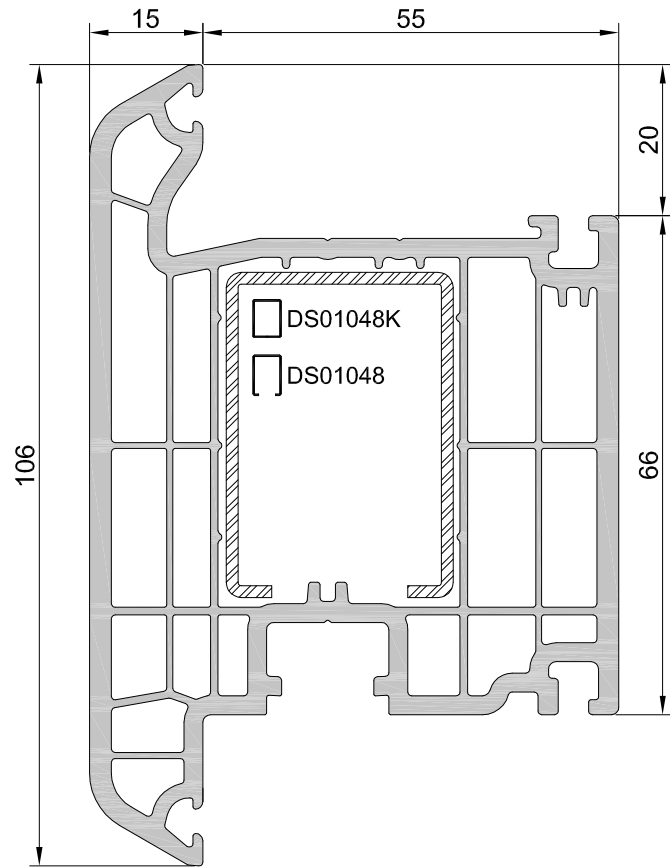
Reinforcement Steel	Thickness (mm)	Moment of inertia	
		I _x (cm ⁴)	I _y (cm ⁴)
DS01048 30x43x6	1,25	3,41	2,54
	1,5	3,97	2,96
	2,0	4,97	3,72
DS01048K 30x40	1,25	3,81	2,45
	1,5	4,44	2,85
	2,0	5,61	3,58



Door corner support wedge
 KT01004-26x39 DS01048
 KT01005-26x36 DS01048K

7058	Outward Opening Door Sash
------	---------------------------

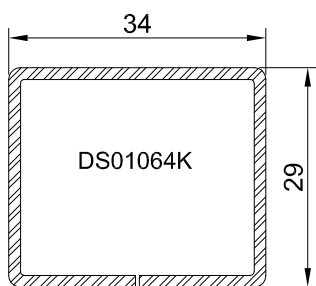
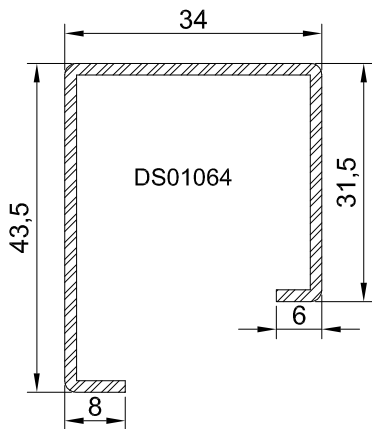
Reinforcement Steel	Thickness (mm)	Moment of inertia	
		Ix (cm ⁴)	Iy (cm ⁴)
DS01048 30x43x6	1,25	3,41	2,54
	1,5	3,97	2,96
	2,0	4,97	3,72
DS01048K 30x40	1,25	3,81	2,45
	1,5	4,44	2,85
	2,0	5,61	3,58



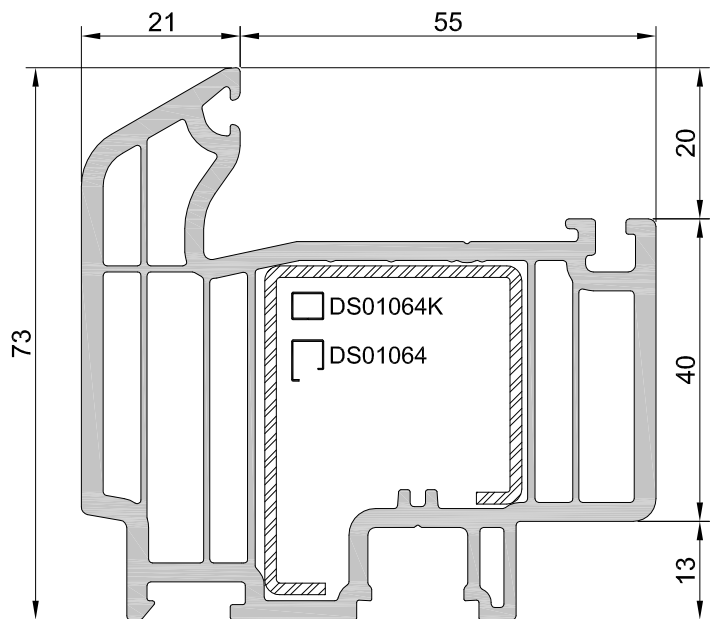
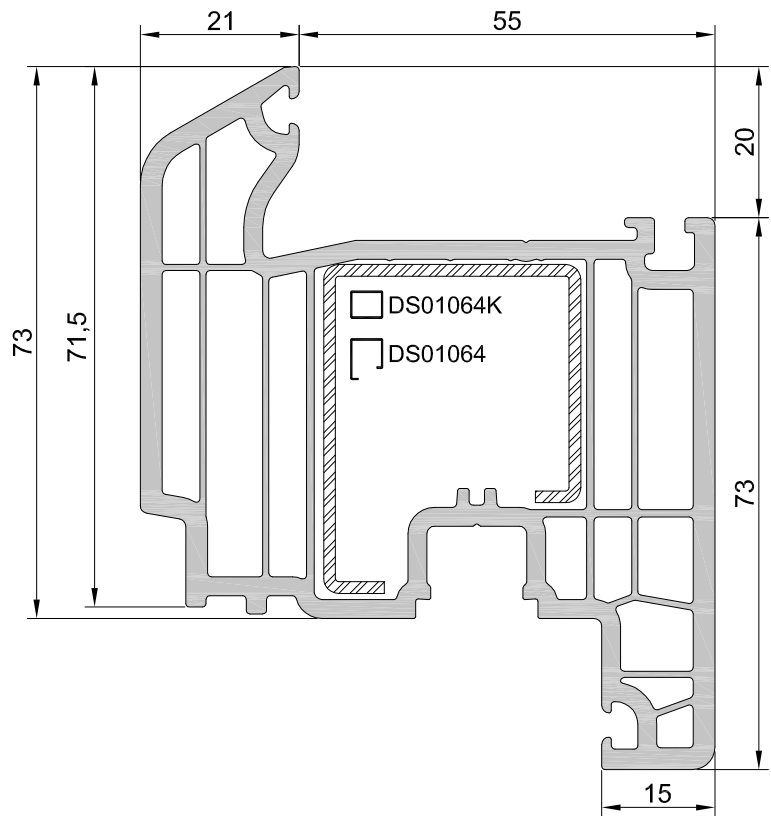
Door corner support wedge
 KT01004-26x39 DS01048
 KT01005-26x36 DS01048K

7080	Dropper Door Sash
------	-------------------

Reinforcement Steel	Thickness (mm)	Moment of inertia	
		Ix (cm4)	Iy (cm4)
DS01064	1,25	3,62	2,27
34x43.5x	1,5	4,23	2,64
31.5x8x6	2,0	5,34	3,29
DS01064K	1,25	1,97	2,52
34x29	1,5	2,29	2,93
	2,0	2,87	3,68

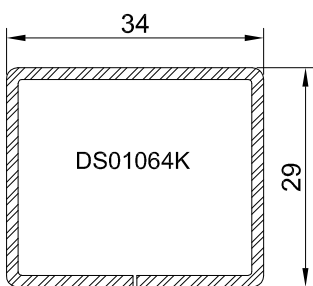
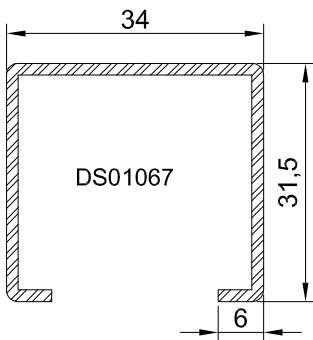


7081	French Adapter Door Sash
------	--------------------------

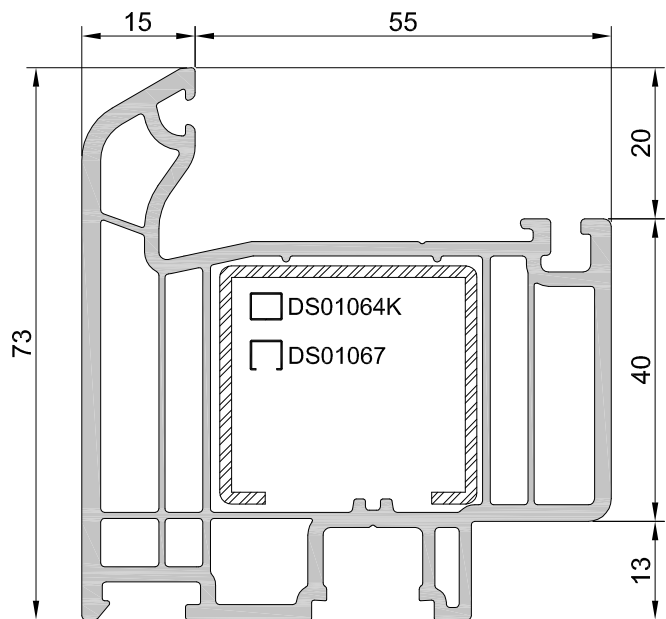
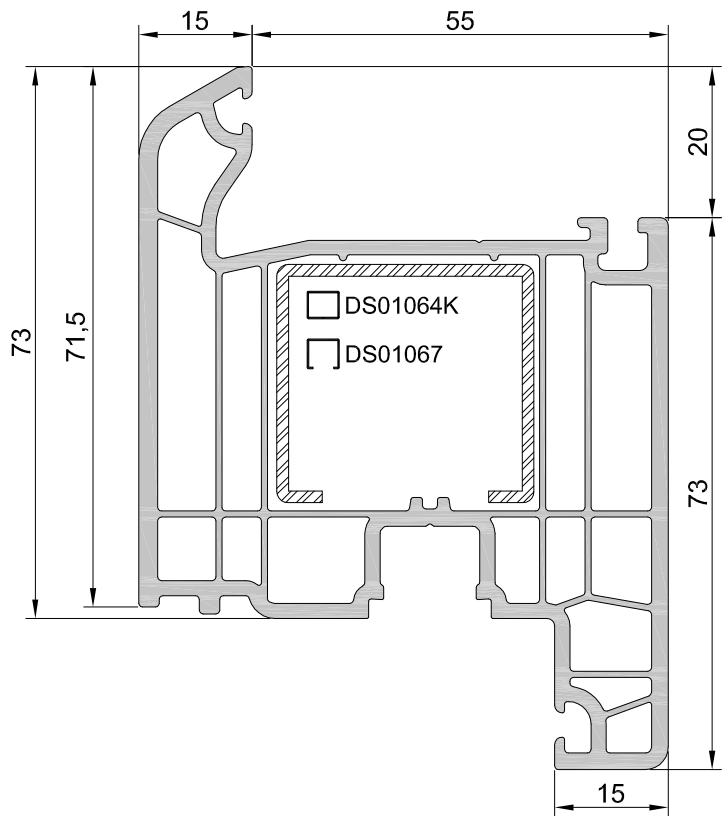


7084 Inward Opening Door Sash

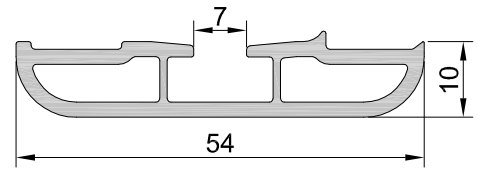
Reinforcement Steel	Thickness (mm)	Moment of inertia	
		Ix (cm4)	Iy (cm4)
DS01067 34x31.5x6	1,25	1,79	2,63
	1,5	2,07	3,06
	2,0	2,57	3,85
DS01064K 34x29	1,25	1,97	2,52
	1,5	2,29	2,93
	2,0	2,87	3,68



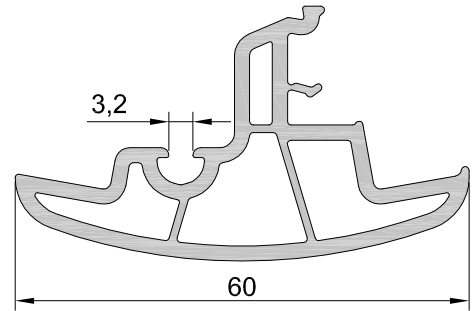
7085 French Adapter Door Sash



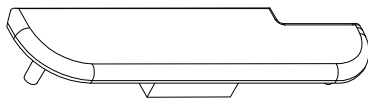
7072 Inside sash cover



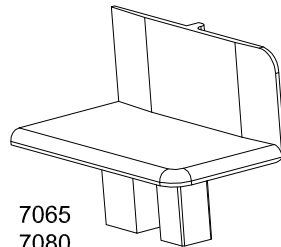
7073 Outside sash cover



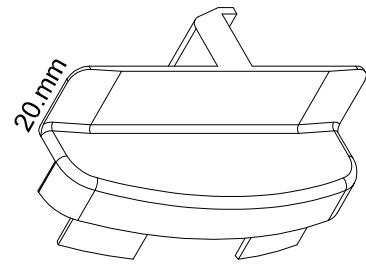
cover team HK01001



7072

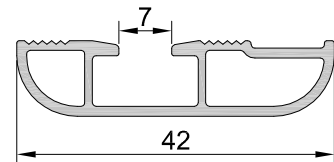


7065
7080
7084

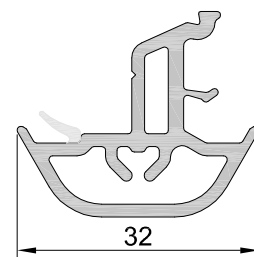


7073

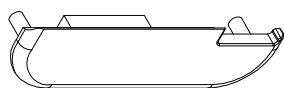
7075 Inside sash cover



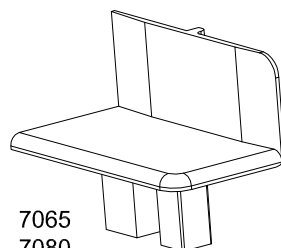
7076 Outside sash cover



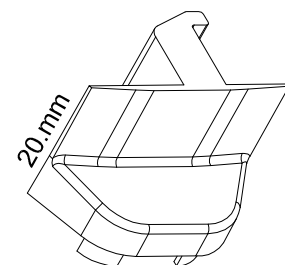
cover team HK01002



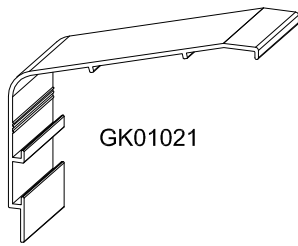
7075



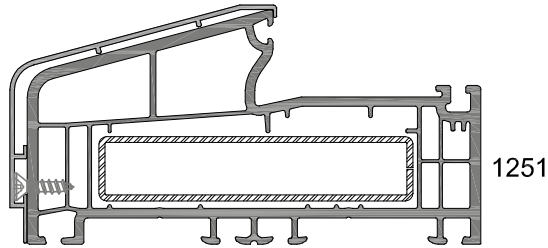
7065
7080
7084



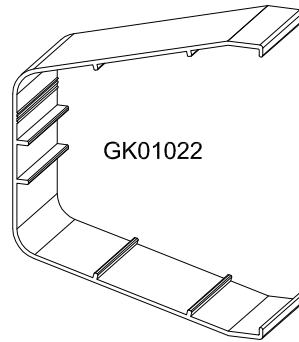
7076



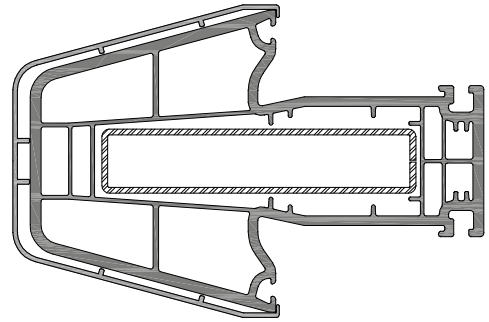
GK01021



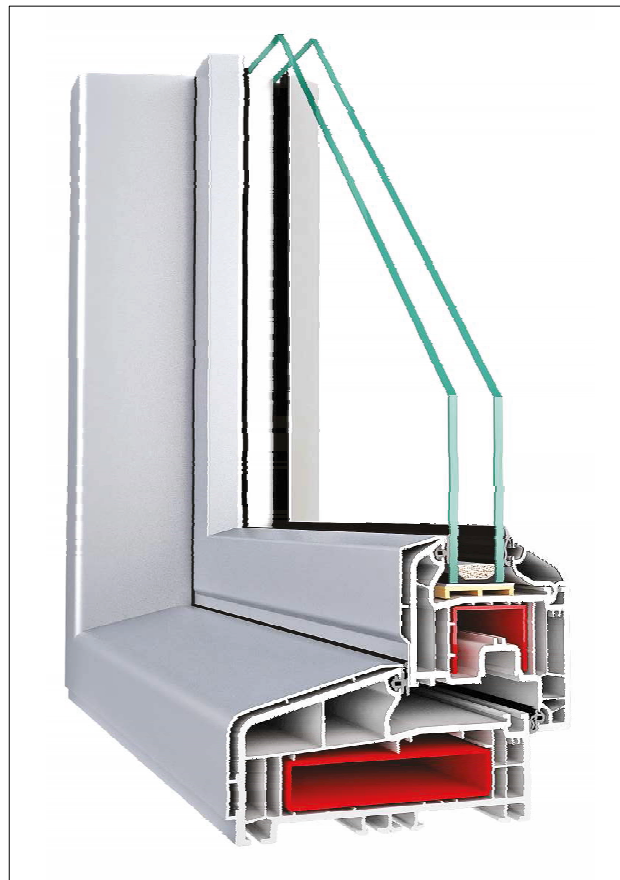
1251

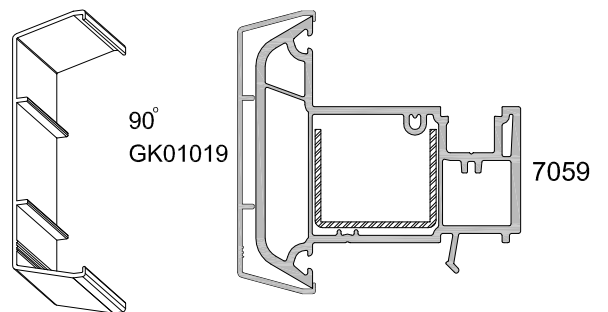
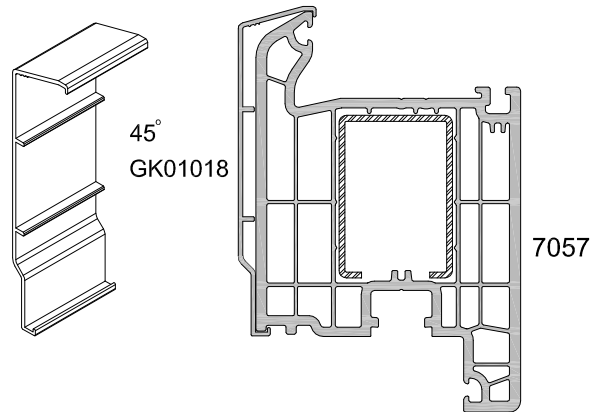
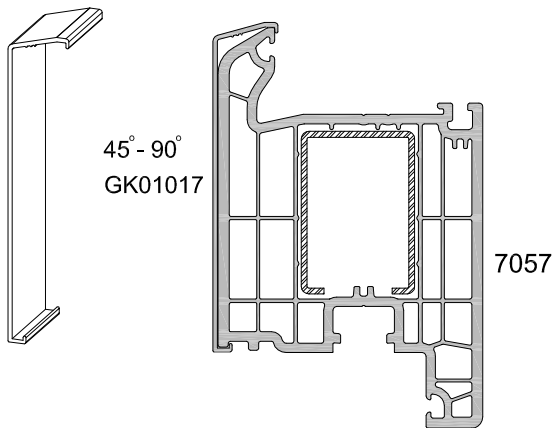
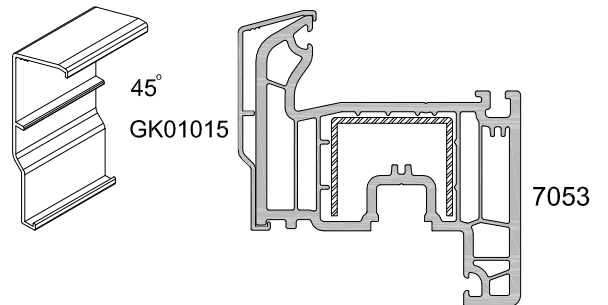
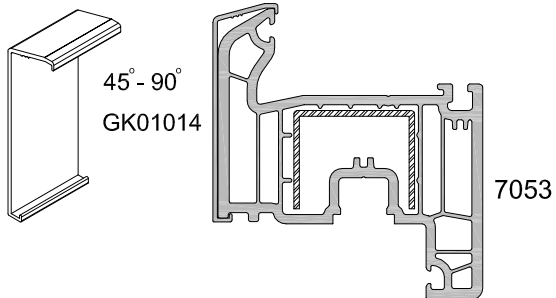
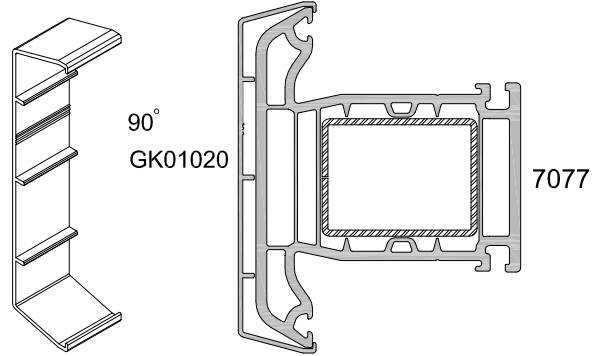
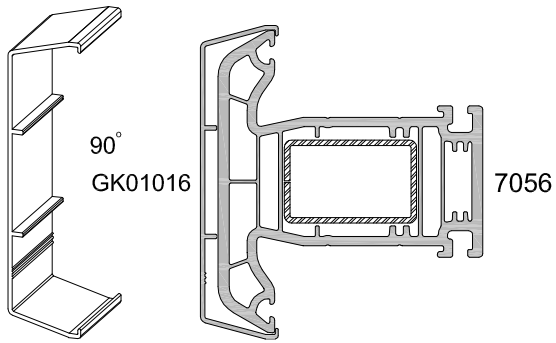


GK01022

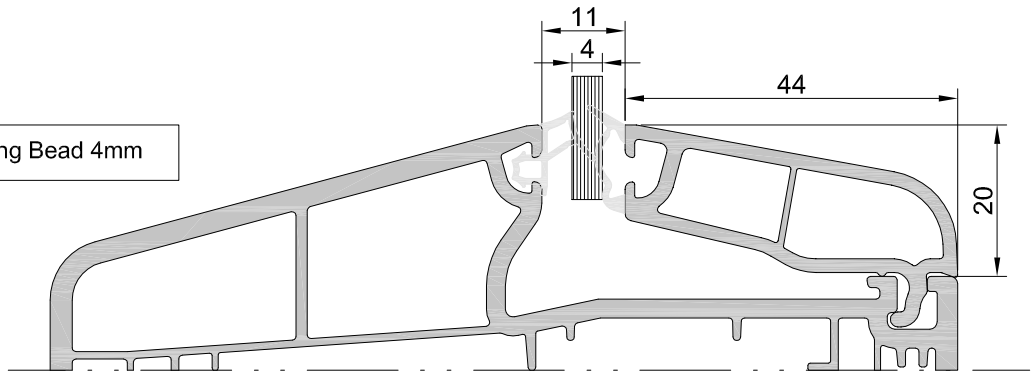


1253

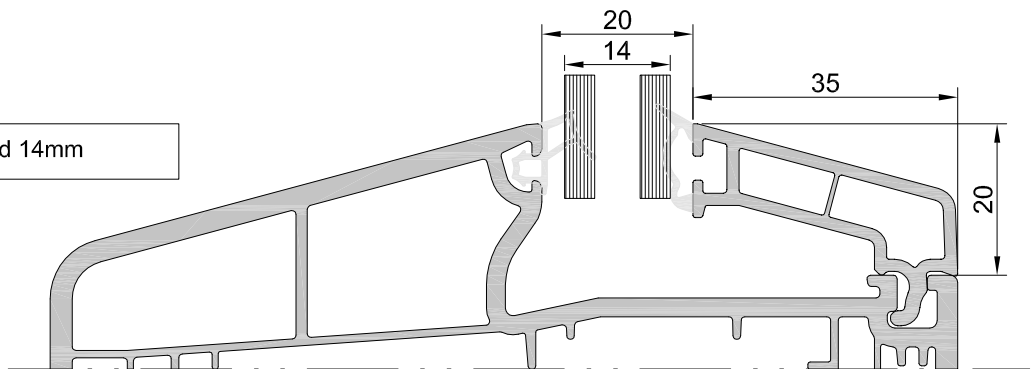




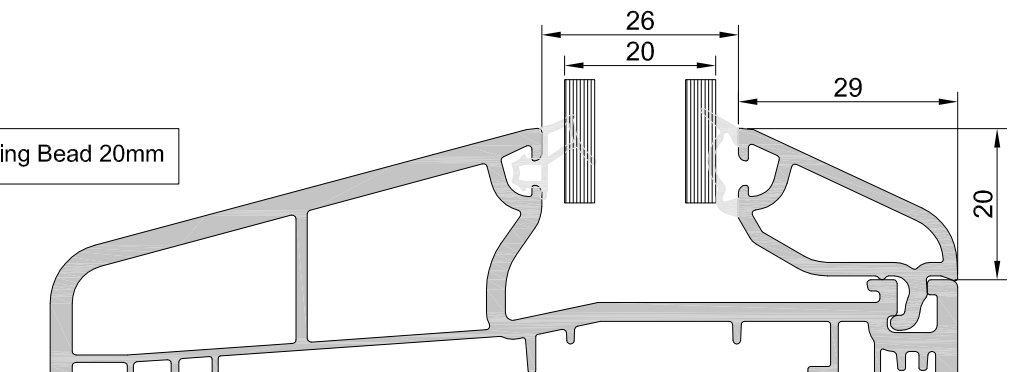
7074 Single Glazing Bead 4mm



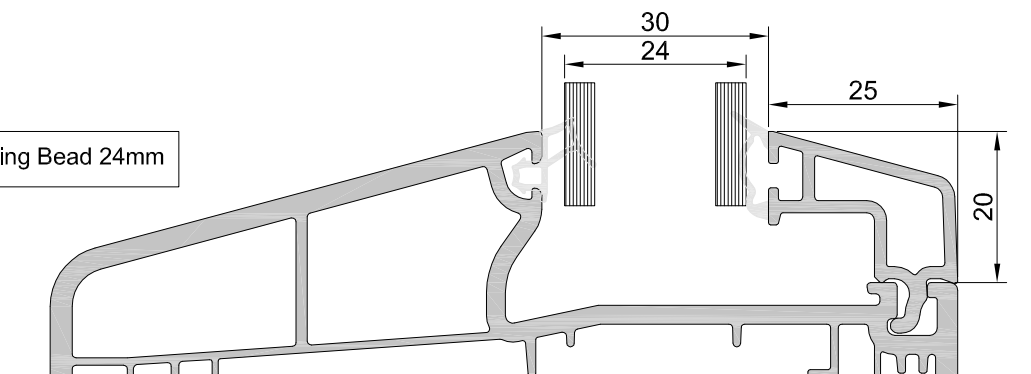
6306 Glazing Bead 14mm

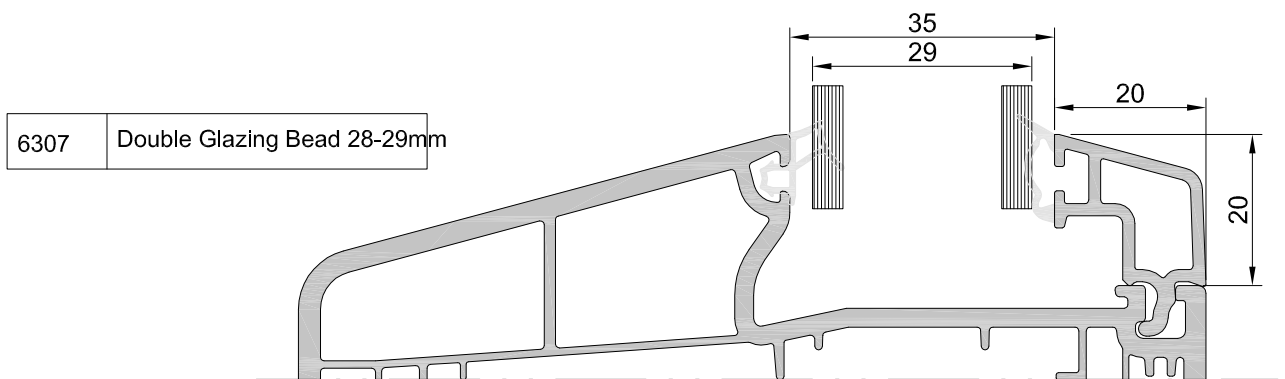
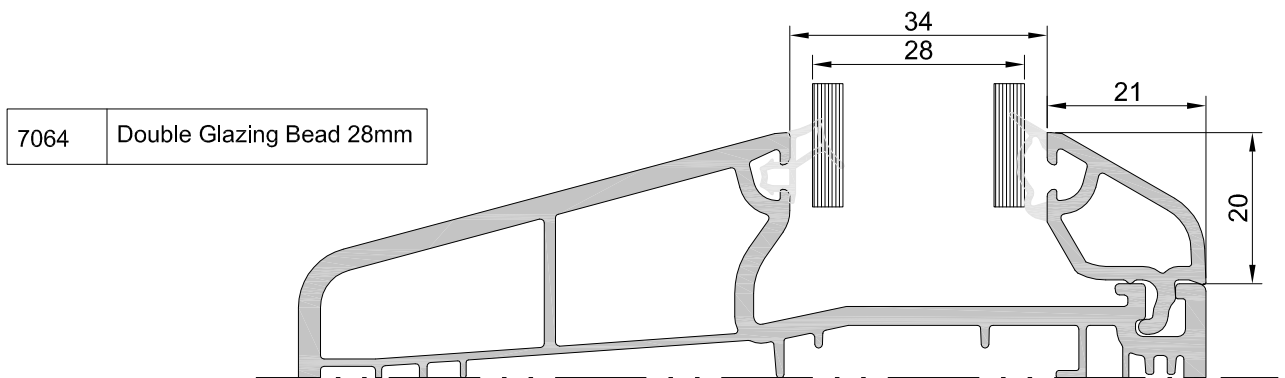
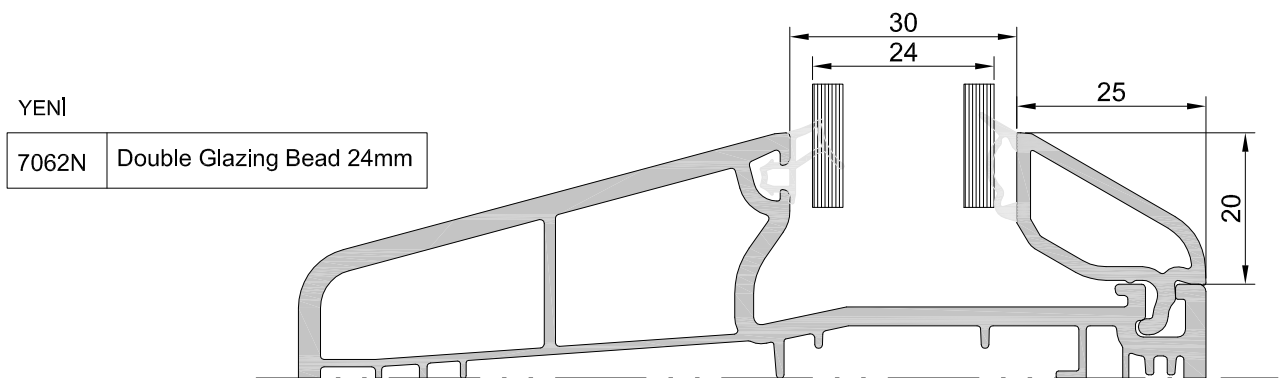
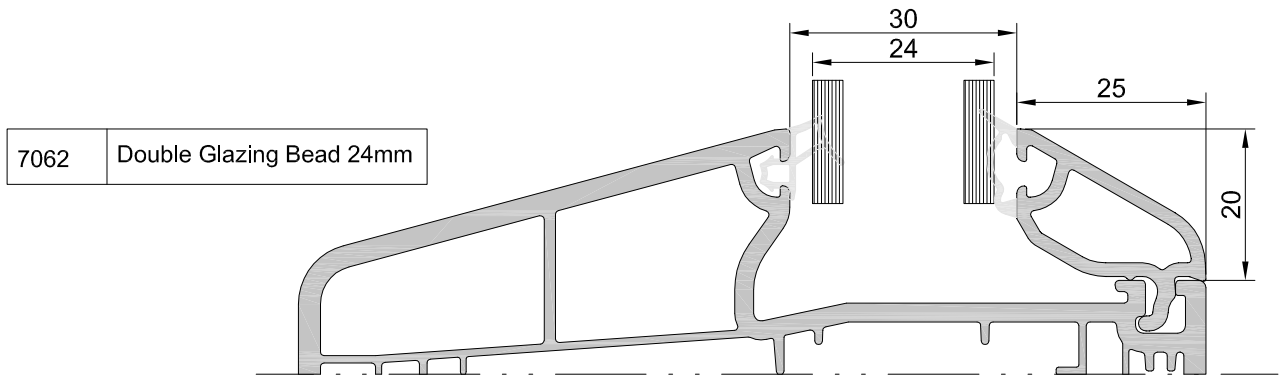


7088 Double Glazing Bead 20mm

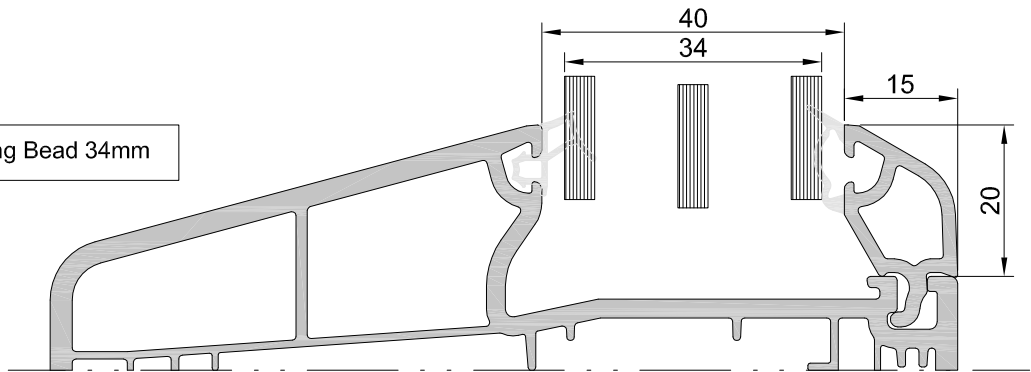


7094 Double Glazing Bead 24mm

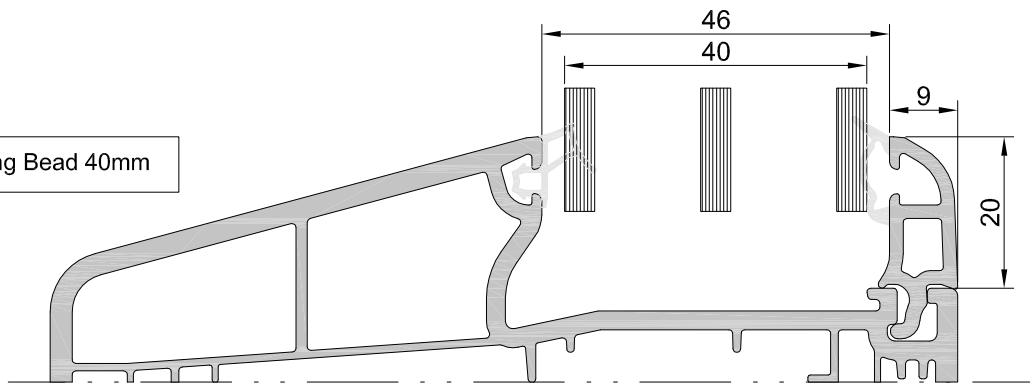


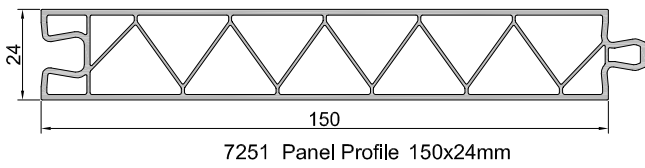
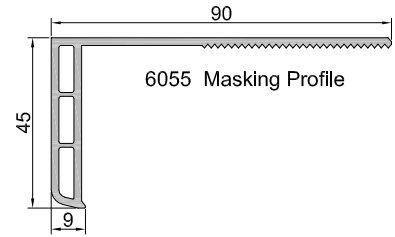
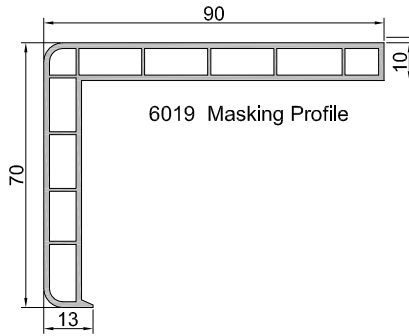
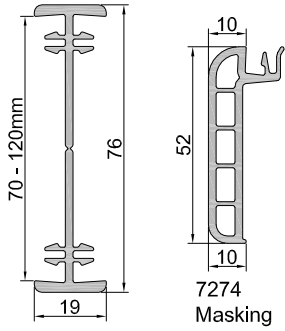


7063 Triple Glazing Bead 34mm

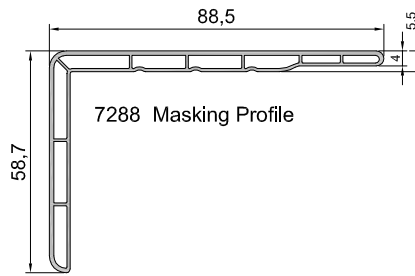
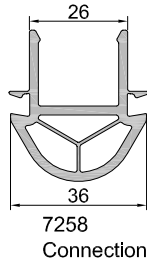
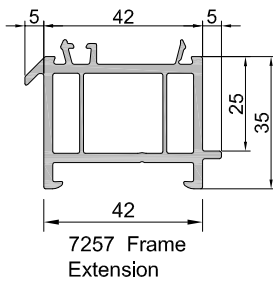
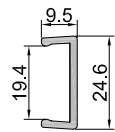
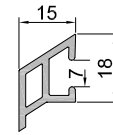


7464 Triple Glazing Bead 40mm

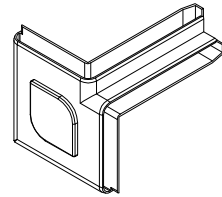


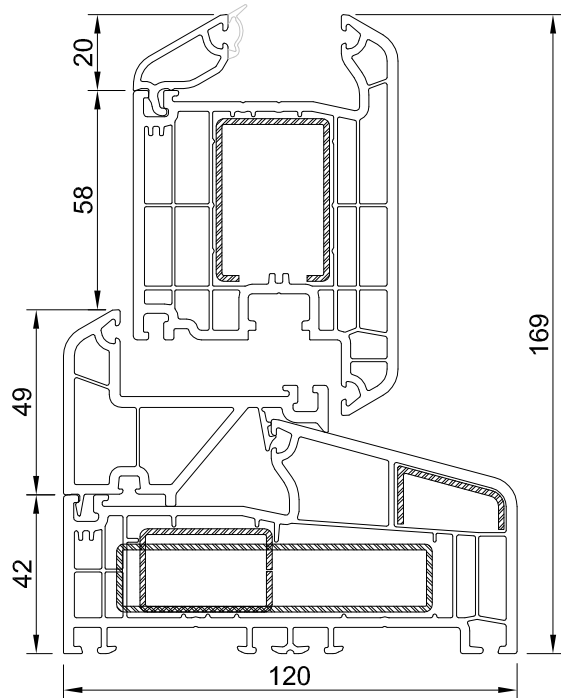
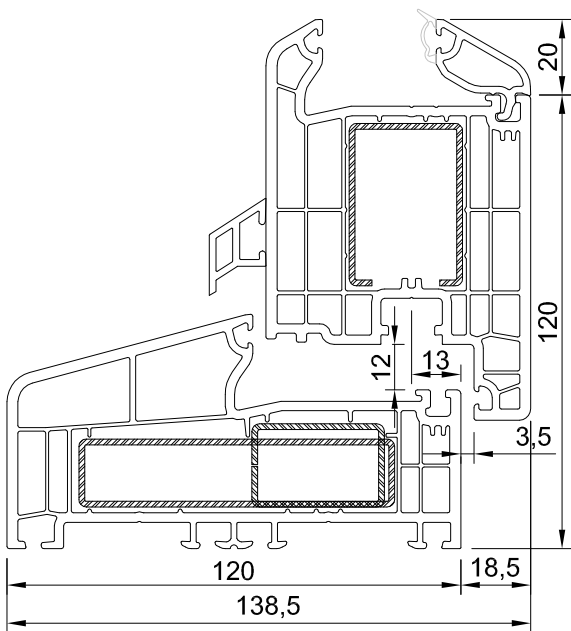
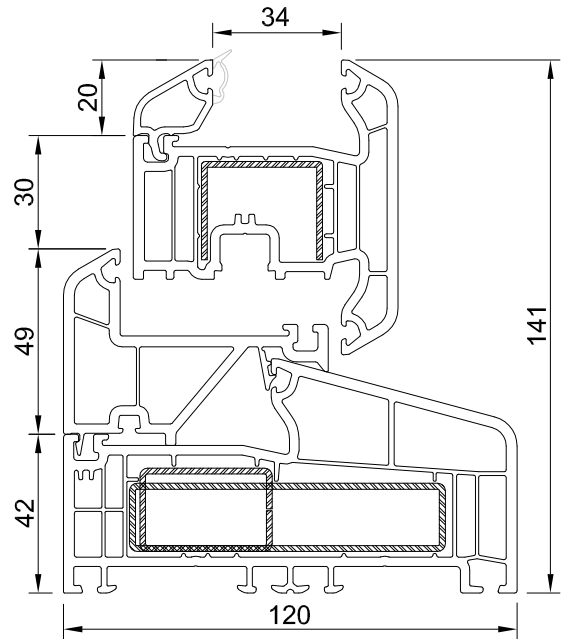
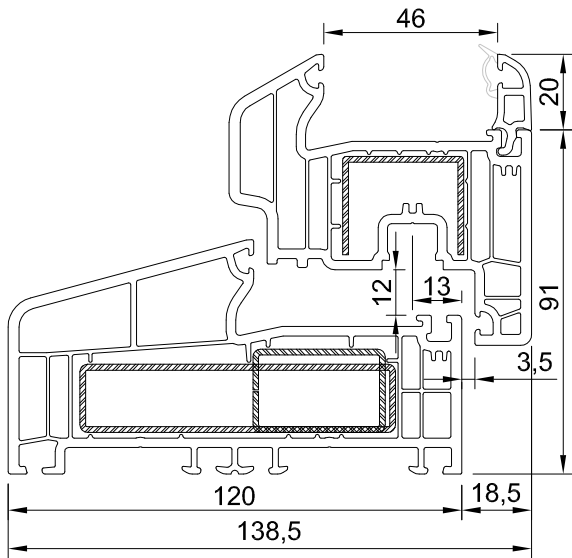


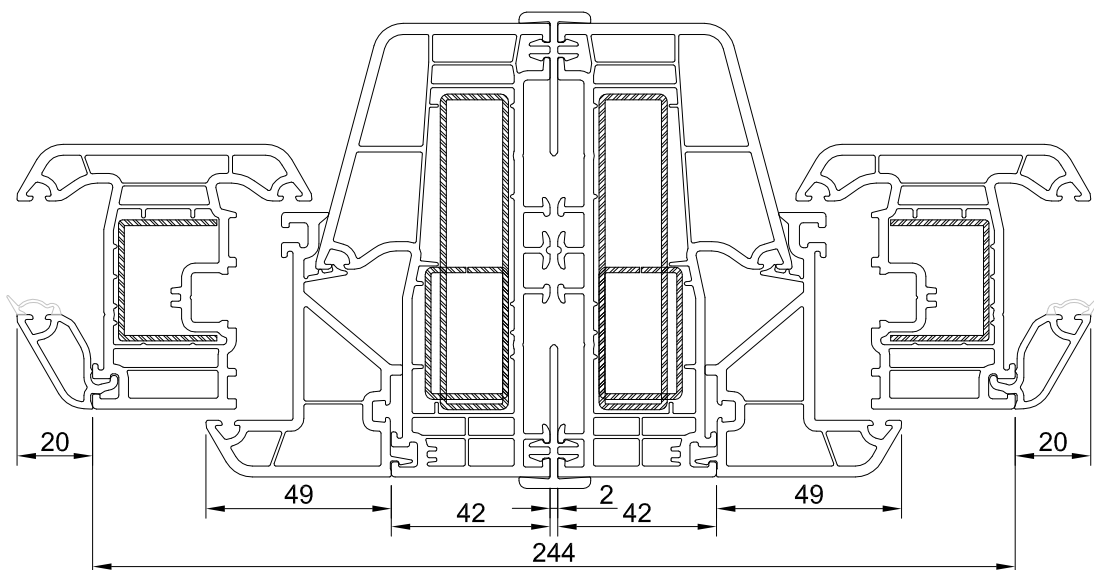
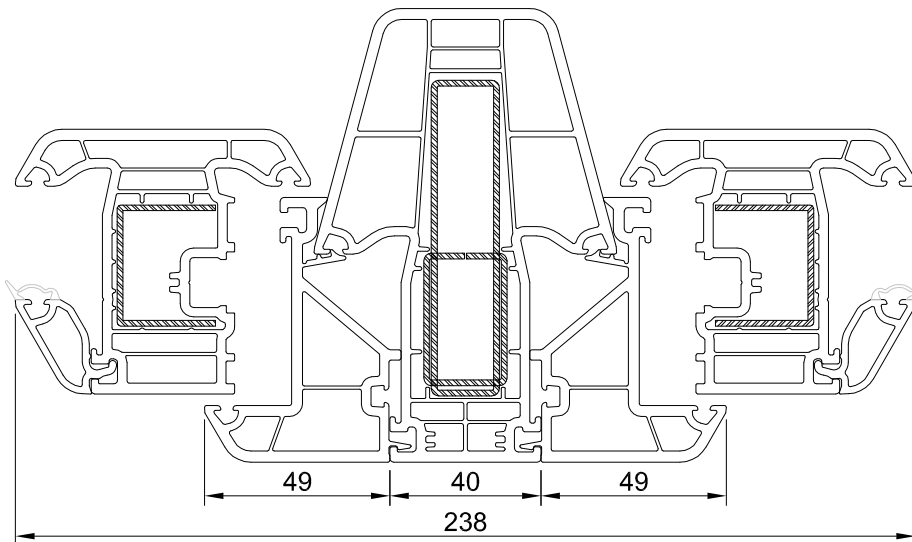
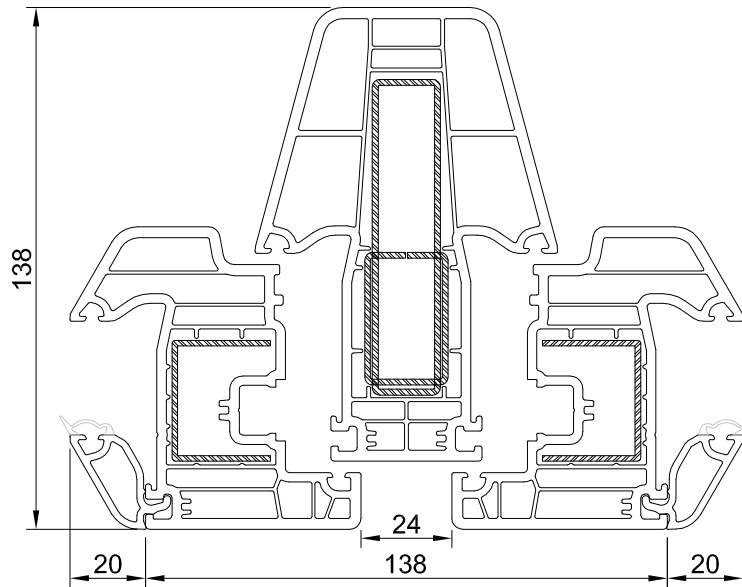
7277-K
Yan kapak

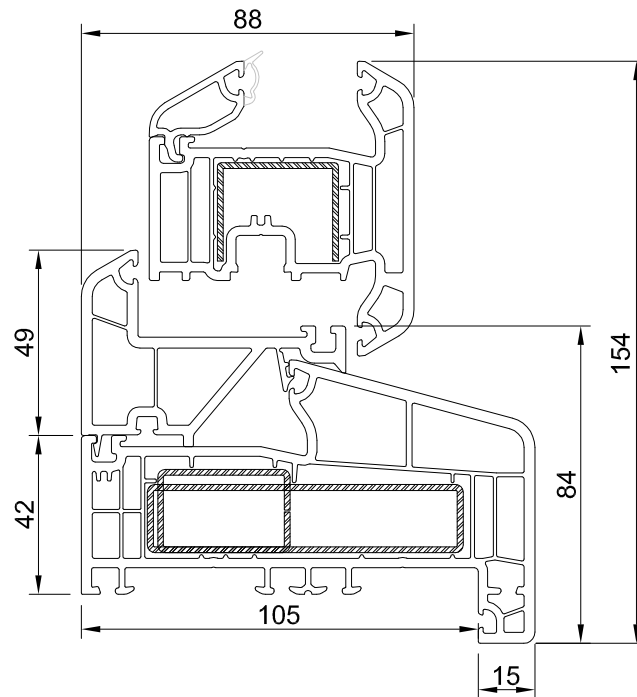
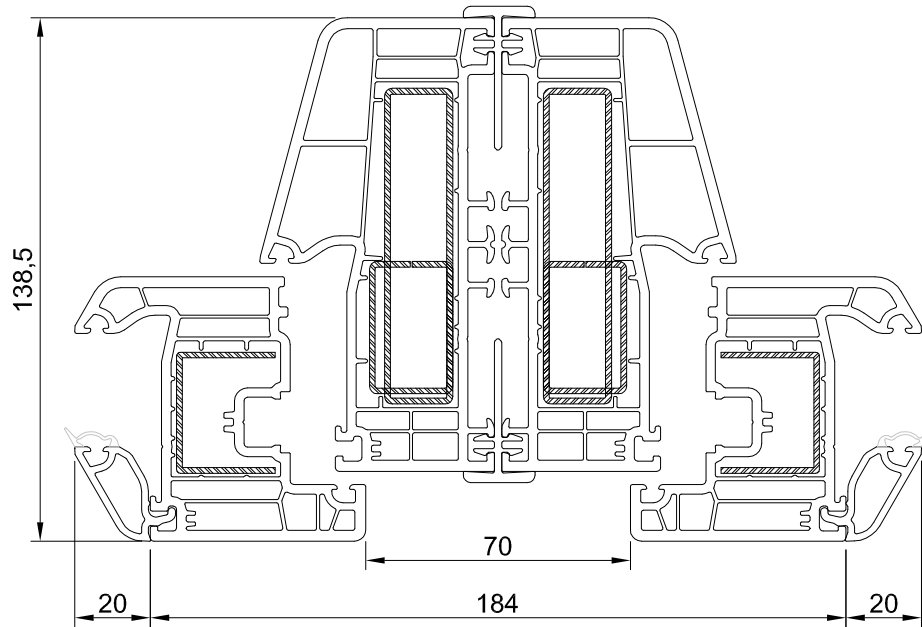


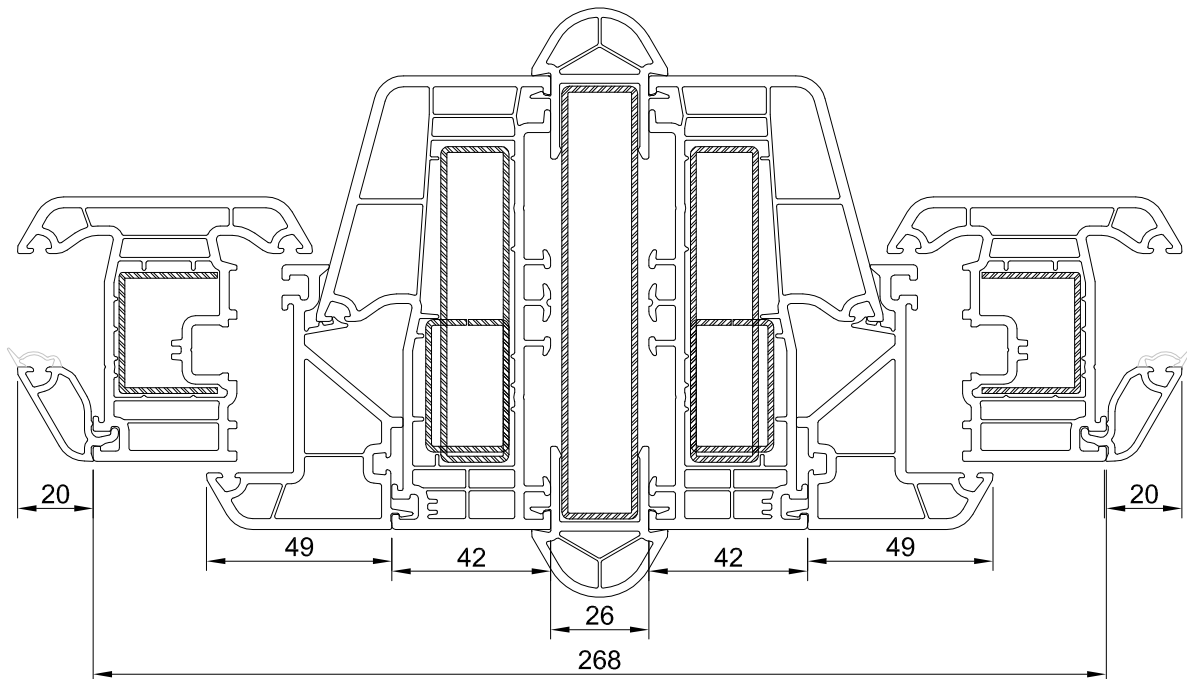
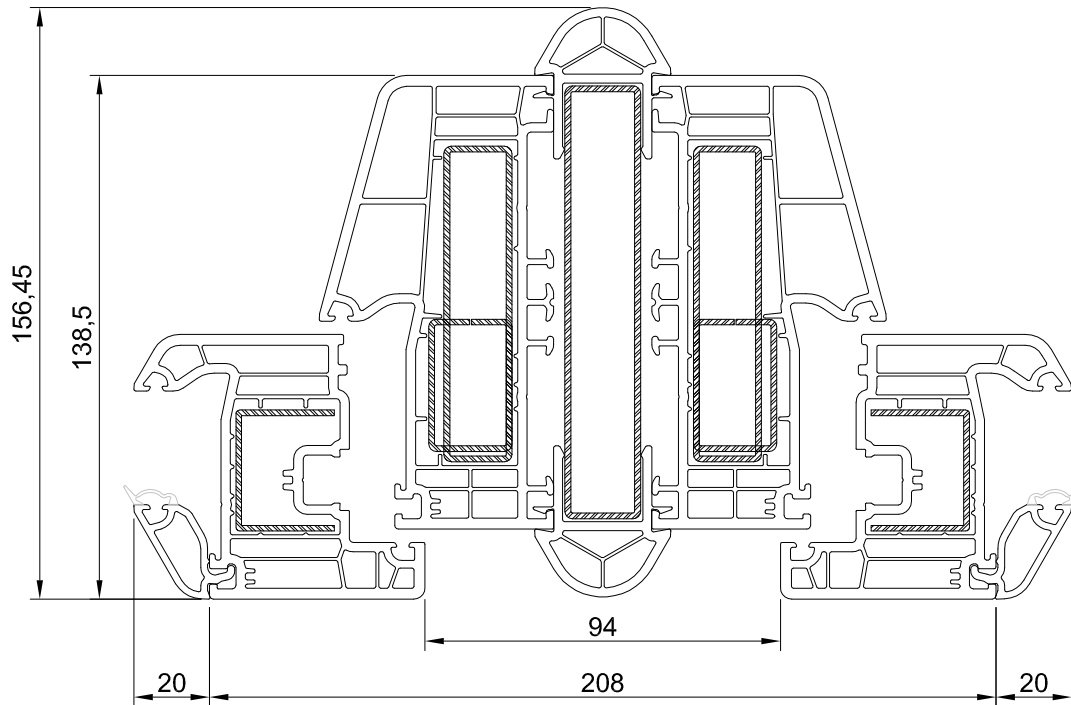
PK04001 Corner Connection
With

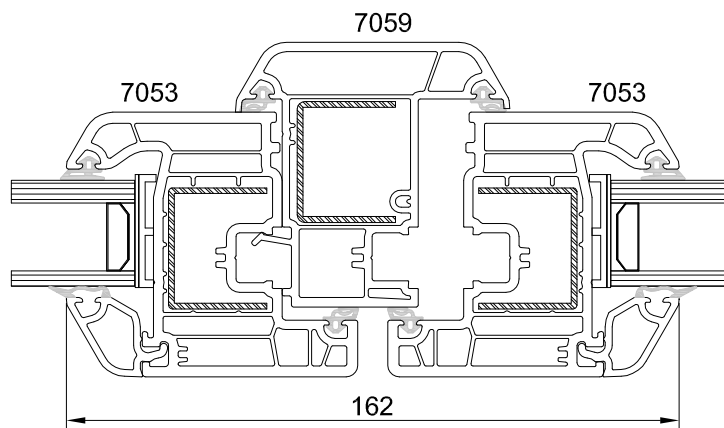
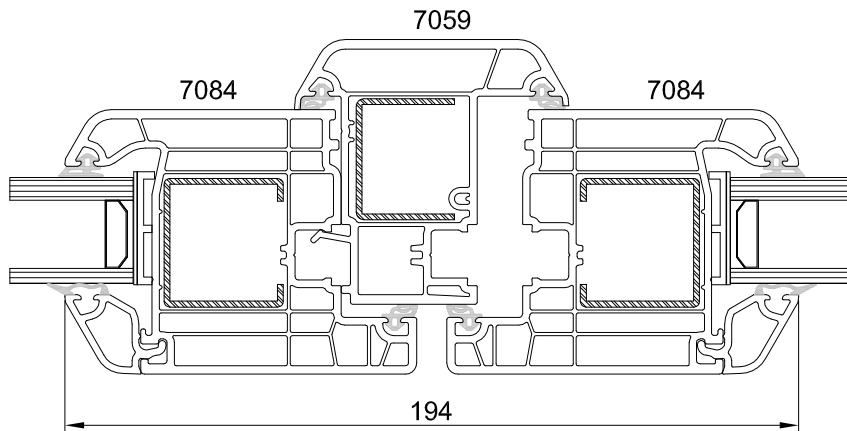
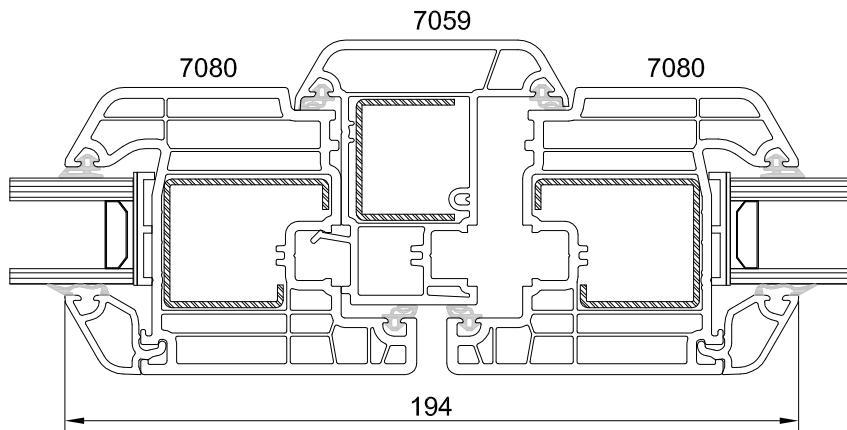
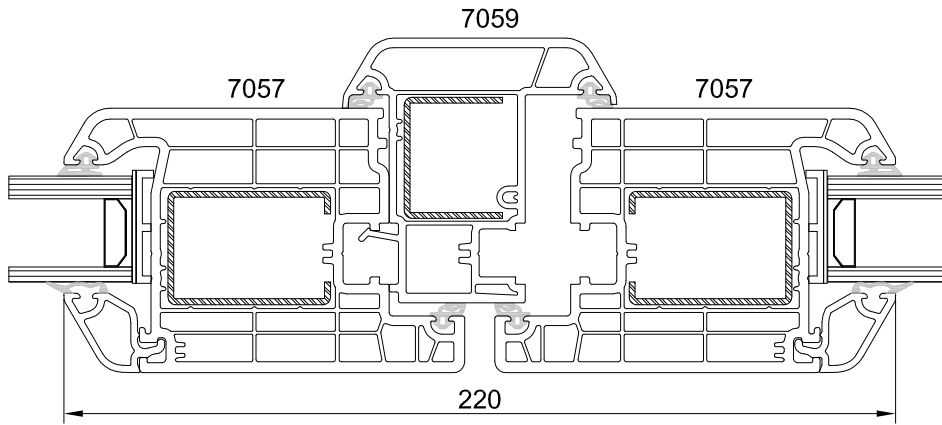


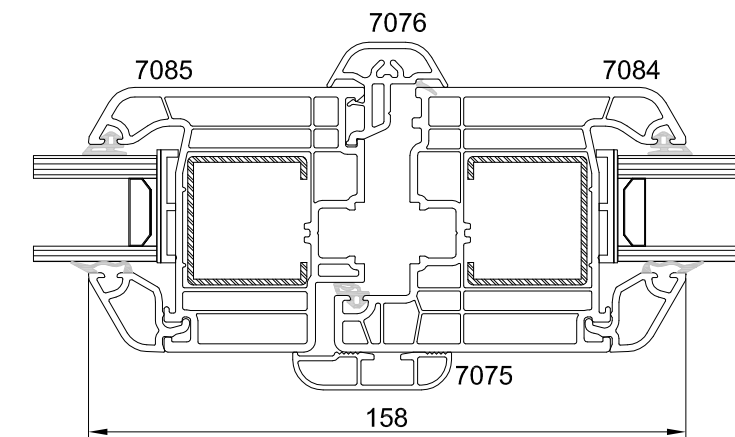
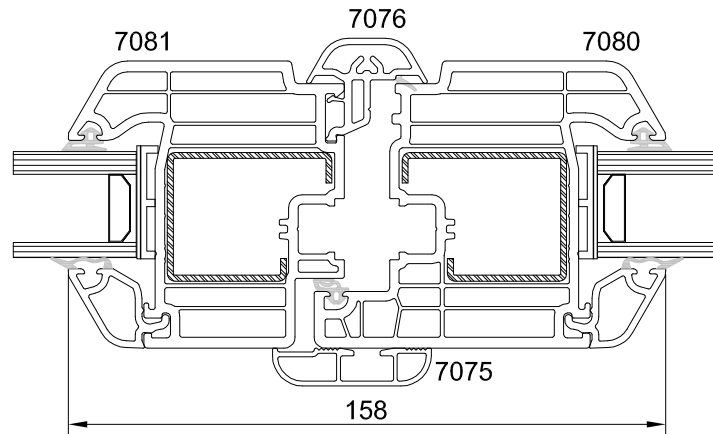
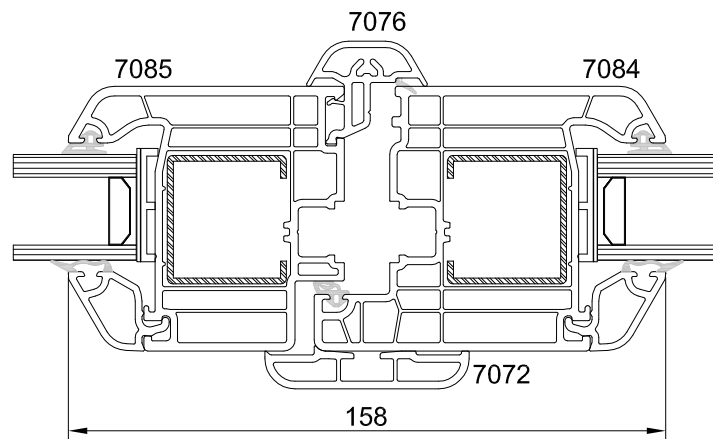
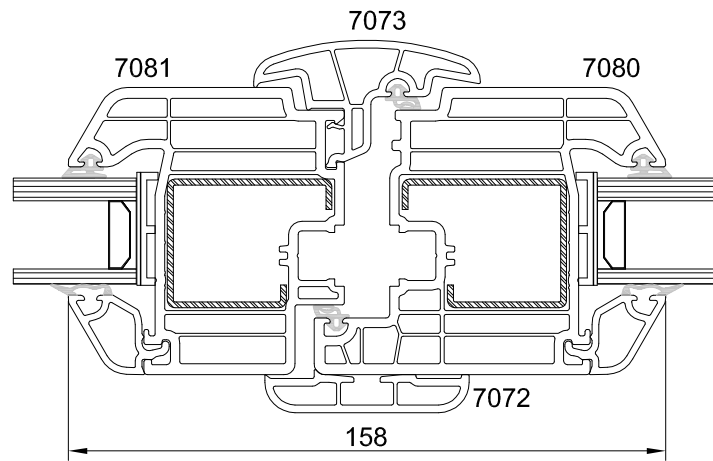




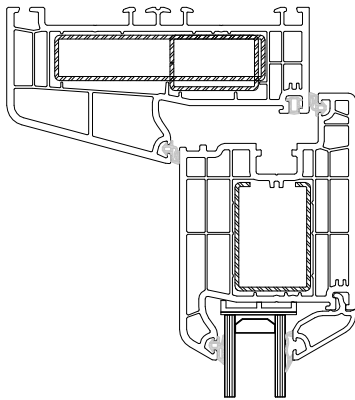




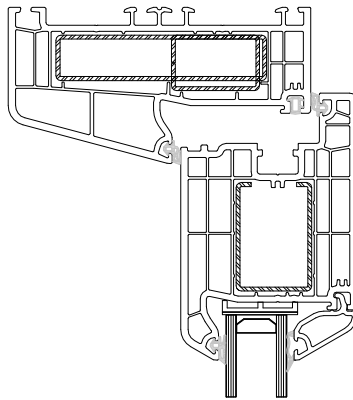




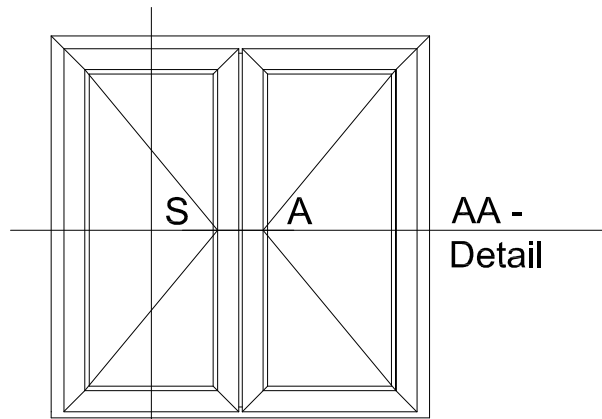
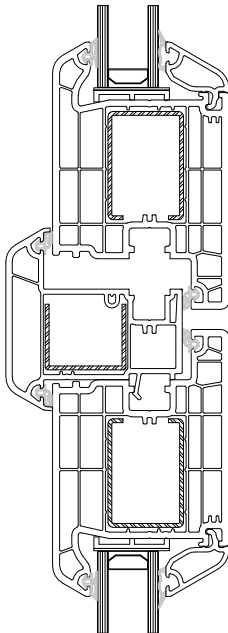
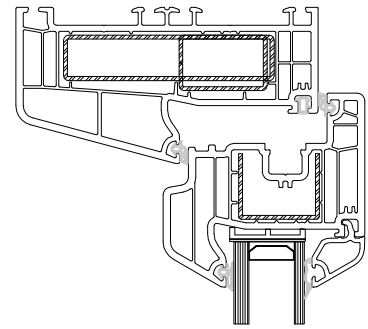
AA - Detail



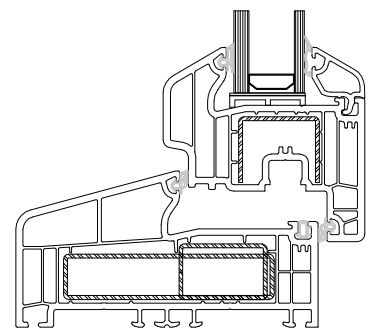
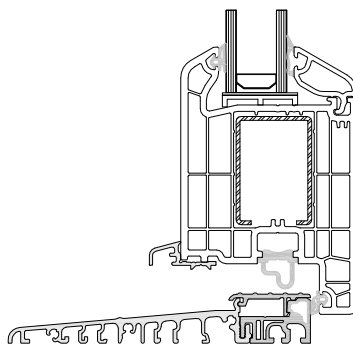
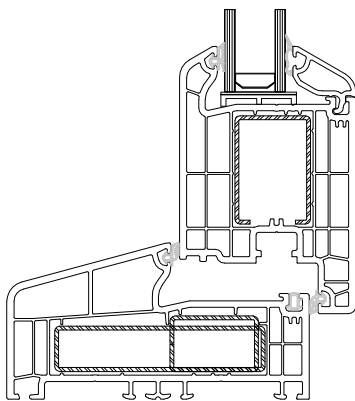
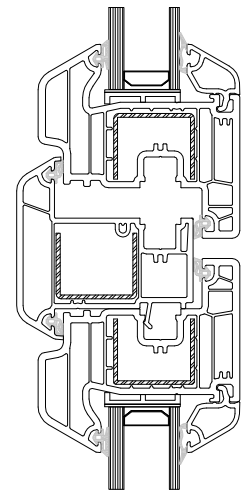
BB - Detail



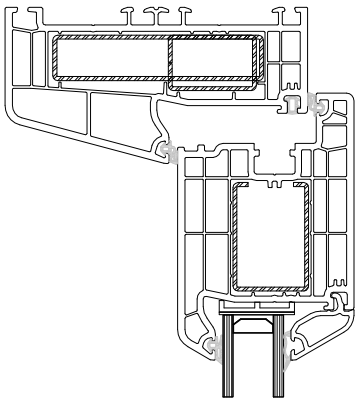
AA - Detail



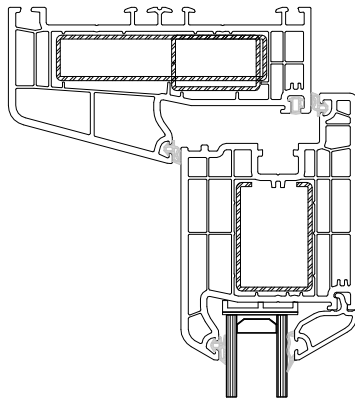
BB - Detail



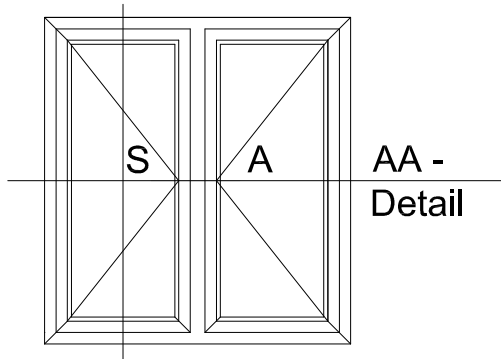
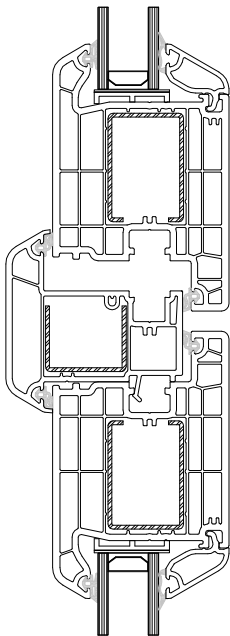
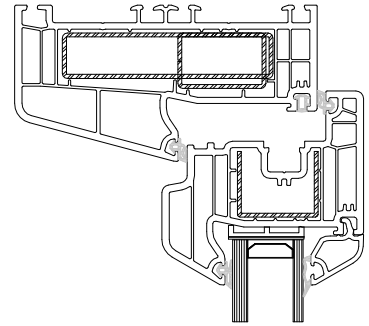
AA - Detail



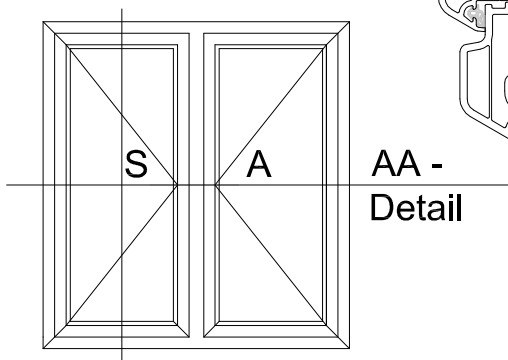
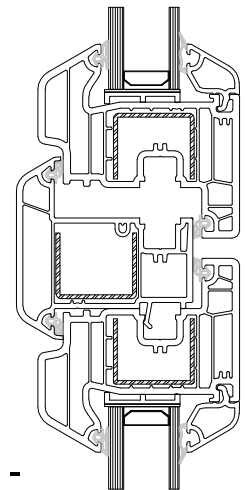
BB - Detail



AA - Detail

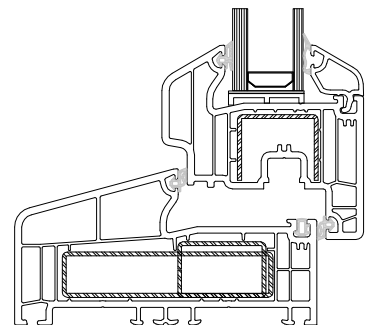
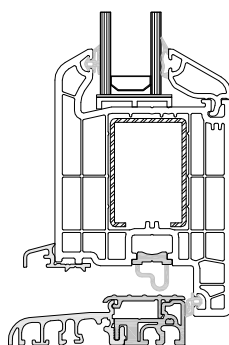
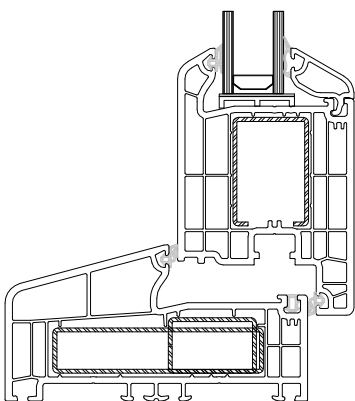


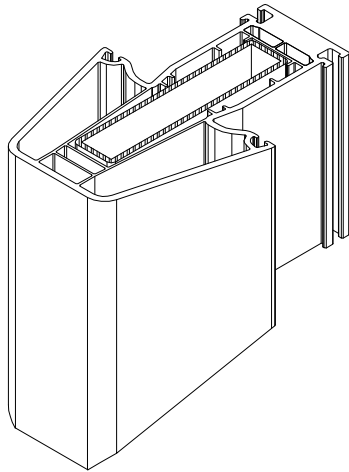
BB - Detail



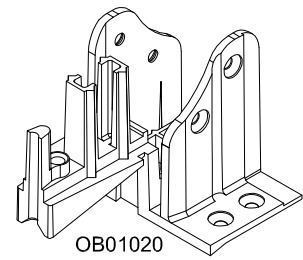
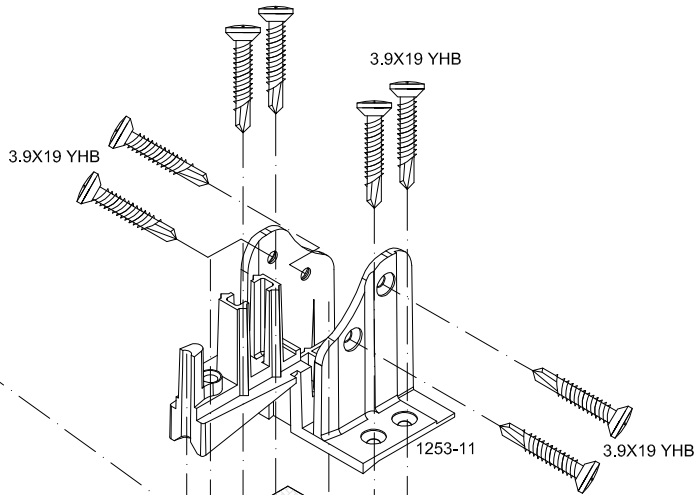
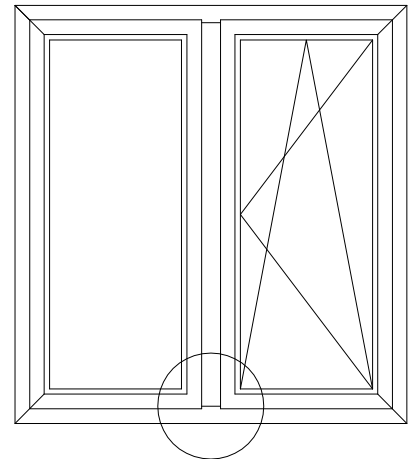
AA - Detail

BB - Detail



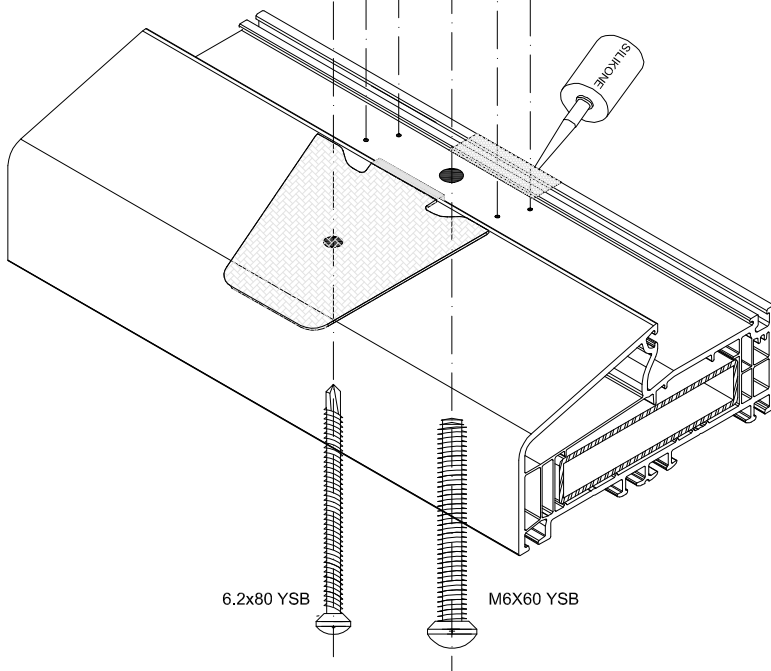
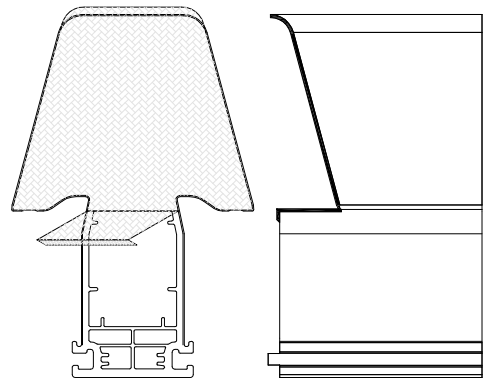


3.9X19 YHB



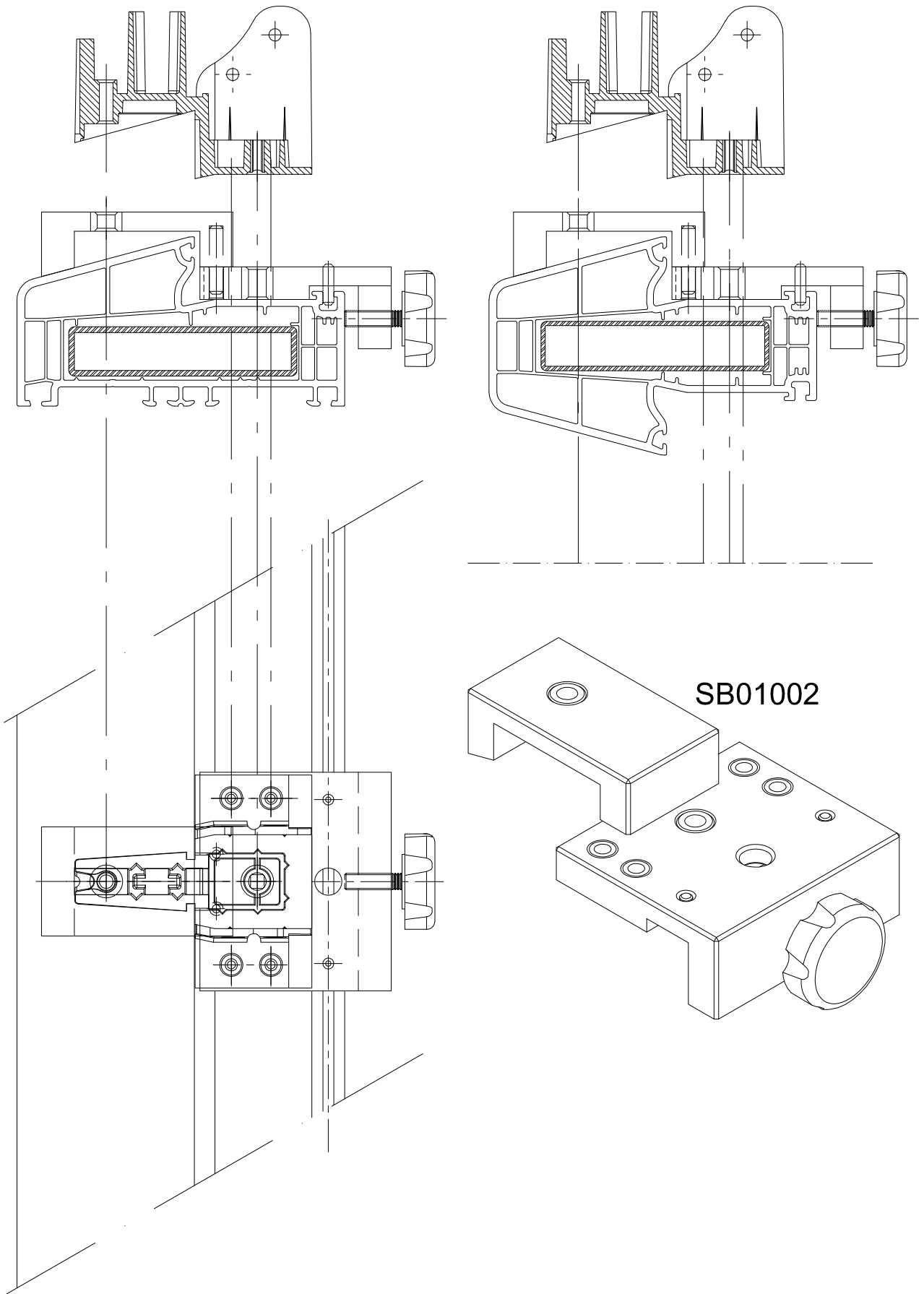
OB01020

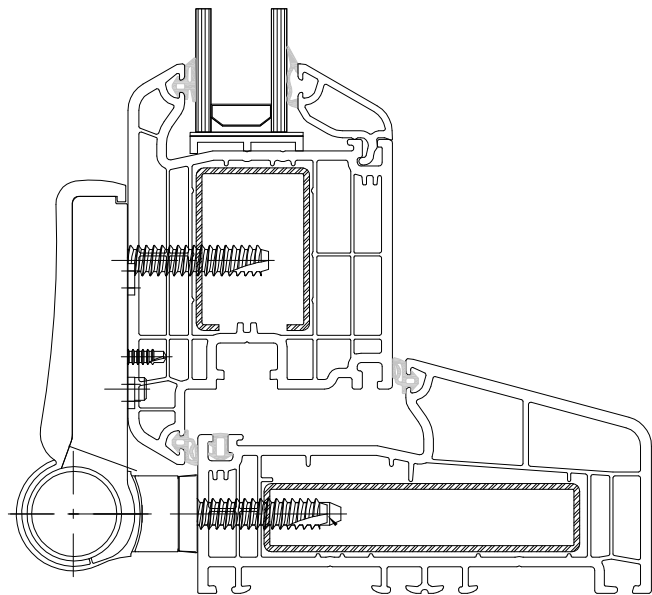
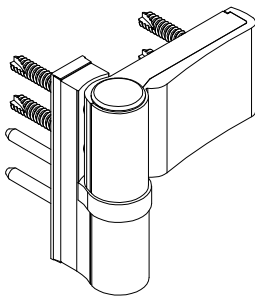
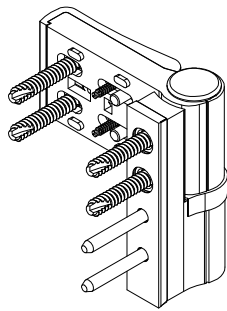
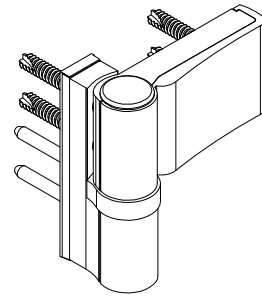
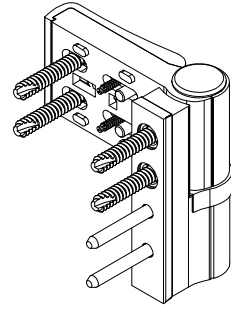
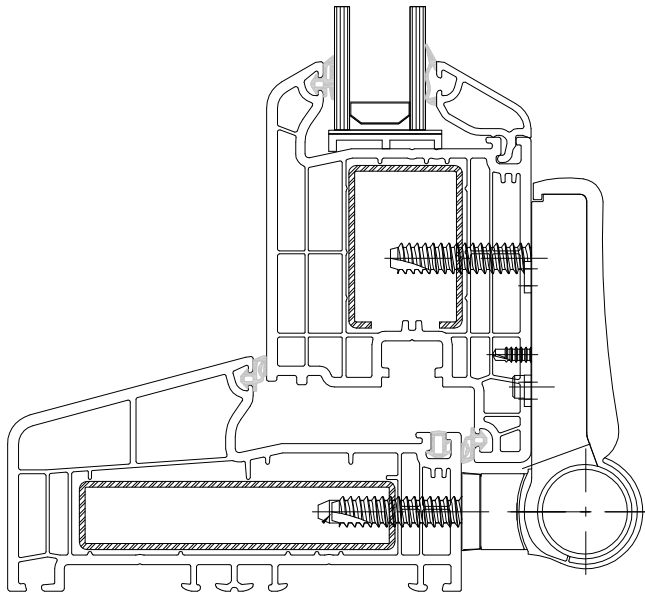
4.8x60 YHB

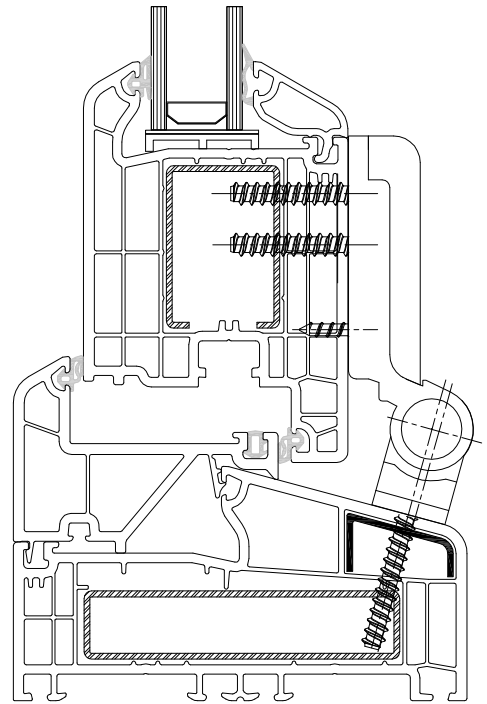
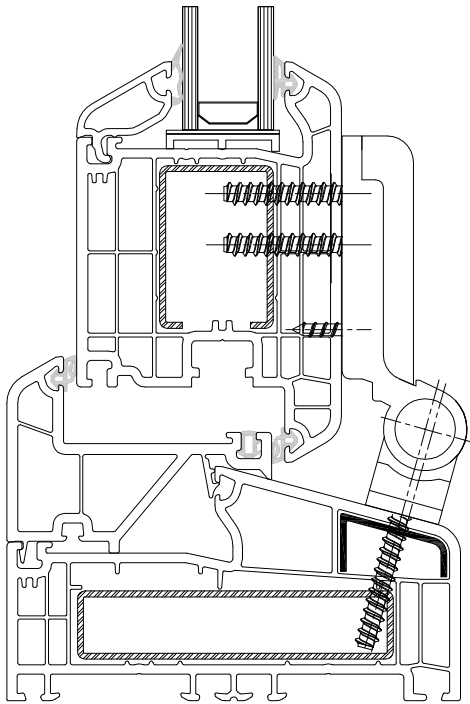


6.2x80 YSB

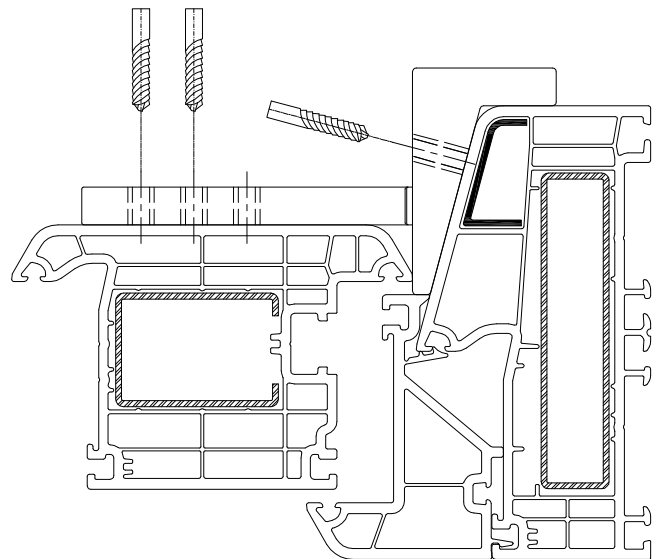
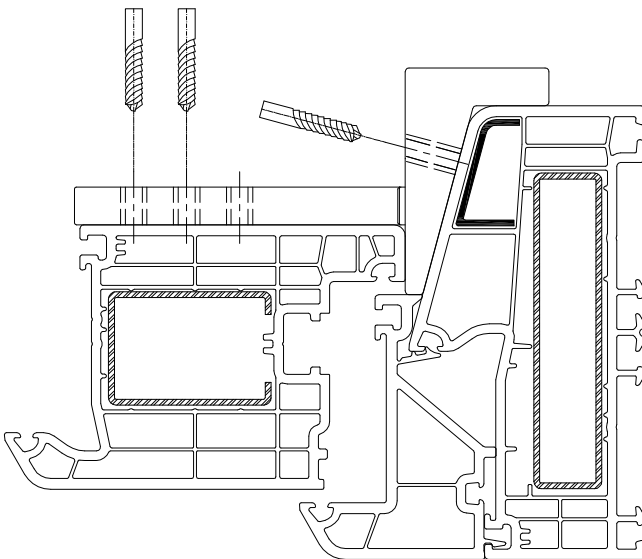
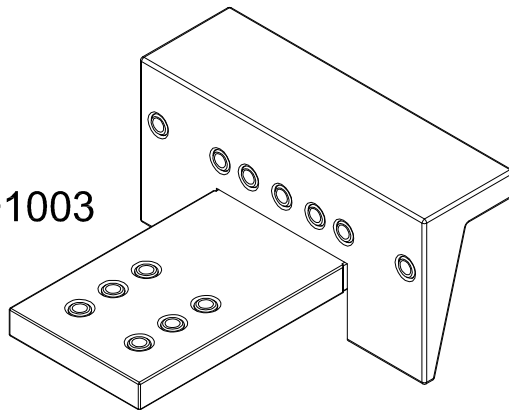
M6X60 YSB







SB01003



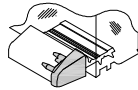
Aluminium drainer for door sash

- DA01209 - Anodised
- DA01213 - Ral 9016
- DA01214 - Brown

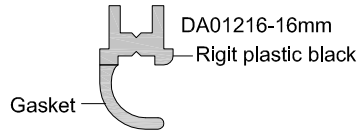
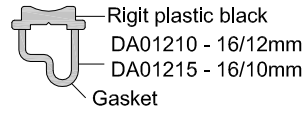


Aluminium drainer caps

- DA01217 - White caps
- DA01218 - Grey caps
- DA01219 - Brown caps



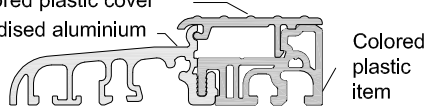
Threshold sealing gasket



Isolated aluminium threshold

Colored plastic cover

Anodised aluminium



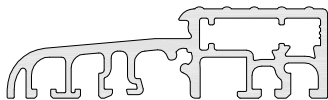
Colored plastic item

- DA01207-Aluminium threshold with black caps
- DA01208-Aluminium threshold with grey caps
- DA01211-Aluminium threshold with white caps

Isolated aluminium threshold with gear security striker canal

- DA01220-Aluminium threshold with grey caps
- DA01222-Security striker

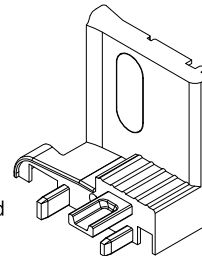
Anodised aluminium threshold



- AB01015-E Anodised aluminium threshold
- AB01015-R Anodised aluminium threshold black

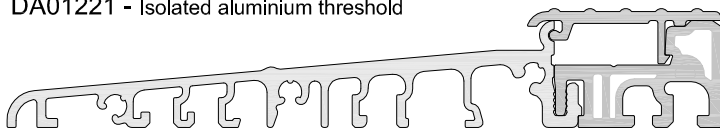
Threshold caps left - right

- EK01007
- 1251 - 1252 L&R White
- EK01007R
- 1251 - 1251 L&R Coloured



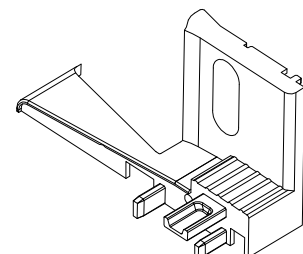
120mm Isolated aluminium threshold

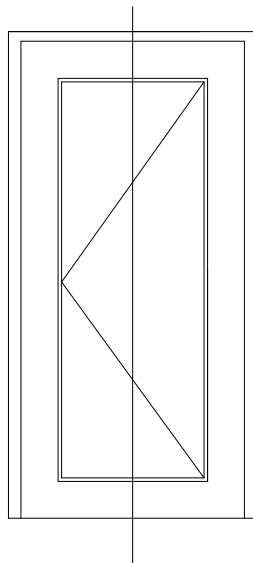
- DA01221 - Isolated aluminium threshold



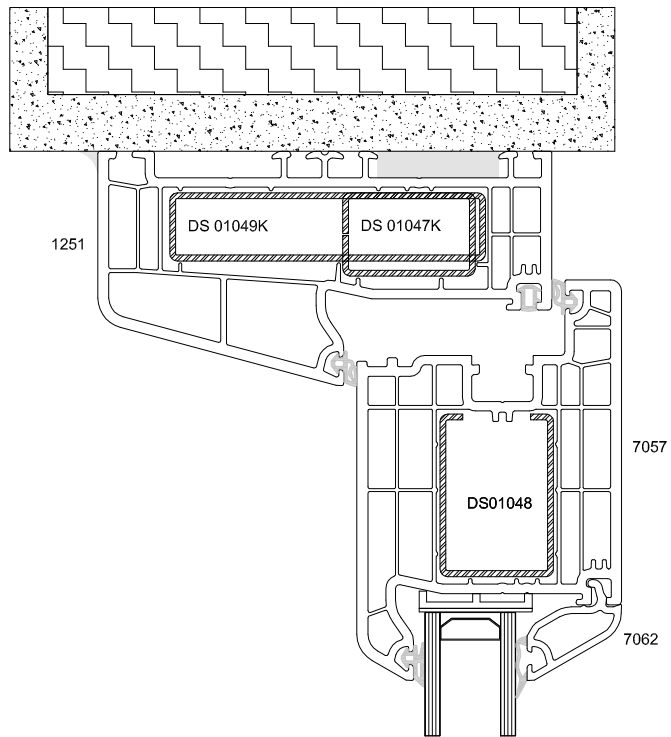
Threshold caps left - right

- EK01006-1251&1252-L&R- White
- EK01006R-1251&1252-L&R- Coloured



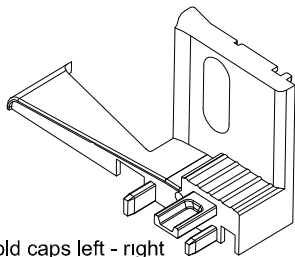
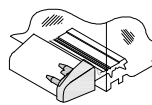


**AA
Detail**



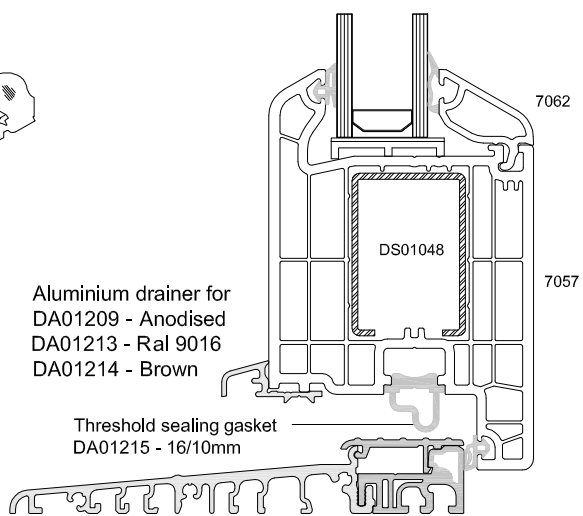
**AA
Detail**

Aluminium drainer caps
 DA01217 - White
 DA01218 - Grey
 DA01219 - Brown



Threshold caps left - right

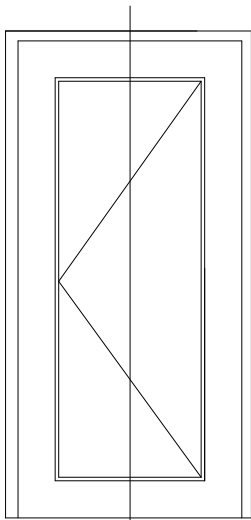
EK01006-1251&1252-L&R-White
 EK01006R-1251&1252-L&R-Coloured



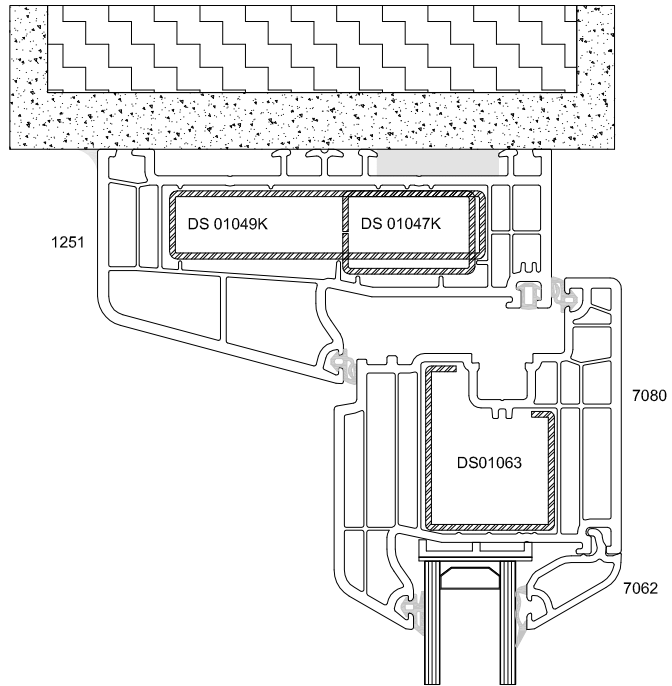
Aluminium drainer for
 DA01209 - Anodised
 DA01213 - Ral 9016
 DA01214 - Brown

Threshold sealing gasket
 DA01215 - 16/10mm

120mm Isolated aluminium threshold
 DA01221 - Isolated aluminium threshold

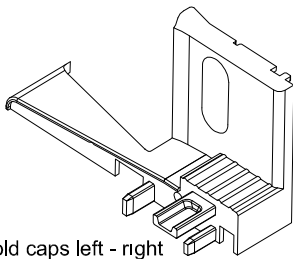
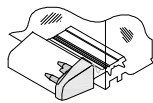


**AA
Detail**



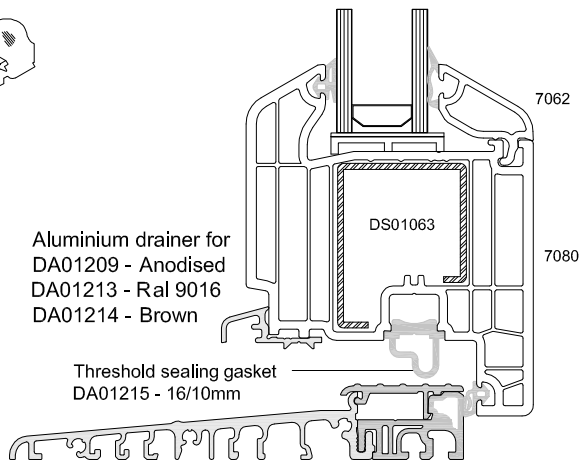
**AA
Detail**

Aluminium drainer caps
 DA01217 - White
 DA01218 - Grey
 DA01219 - Brown



Threshold caps left - right

EK01006-1251&1252-L&R-White
 EK01006R-1251&1252-L&R-Coloured



Aluminium drainer for
 DA01209 - Anodised
 DA01213 - Ral 9016
 DA01214 - Brown

Threshold sealing gasket
 DA01215 - 16/10mm

DA01221 - Isolated aluminium threshold